



---

# LISTINO RICAMBI PHOENIX

---



---

## PRICE LIST 2022

---

VALIDITY 01/2022 - 12/2022

---



VIA BRESCIA, 1 - 21049 - TRADATE - VA - ITALY  
TEL. +39 0331 866688 - FAX +39 0331 864870  
[www.fluimac.it](http://www.fluimac.it) - [info@fluimac.com](mailto:info@fluimac.com)



**PHOENIX P07**

Fluimac s.r.l.  
Via Brescia, 1  
21049 - Tradate (VA)  
Tel. +39-0331-866688  
Fax +39-0331-864870  
Web: www.fluimac.com  
Mail: info@fluimac.com

**LISTINO RICAMBI P07**

POSITION	CODE	MATERIAL	DESCRIZIONE	DESCRIPTION	PRICE UNIT Euro	Q. for PUMP
1s+1d+2+51	P0007CCA000000PP	PP	Centrale assemblato	Complete central block	€ 124,00	1
3	P0007AL000001A2	AISI	Albero	Shaft	€ 7,00	1
3a	GUARNORC02021NR	NBR	O-ring albero	Shaft O-ring	€ 1,20	1
5	MOLLA70C150061AC	STEEL	Molla a tazza	Belleville washer	€ 1,20	2
6	P0007PT000031AL	ALUMINUM	Piattello lato aria	Air side cap	€ 5,00	2
7a	P0007ME000002NH	NBR	Membrana lato aria	Air diaphragm	€ 4,20	2
7b	P0007ME000003TF	PTFE	Membrana lato fluido	Fluid diaphragm	€ 10,00	2
8	P0007CA100007EC	ECTFE	Cappello lato fluido	Fluid side cap	€ 8,00	2
10	P0007SL000081FL	FELT	Silenziatore	Silencer	€ 2,00	1
11	P0007CP000004PPG	PP+VTR	Corpo pompa	Pump casing	€ 10,50	2
11	P0007CP000004PC	PP+CF	Corpo pompa	Pump casing	€ 22,50	2
11	P0007CP000004PM	POM+VTR	Corpo pompa	Pump casing	€ 24,50	2
11	P0007CP000004OC	POM+CF	Corpo pompa	Pump casing	€ 47,00	2
11	P0007CP000004FC	PVDF+CF	Corpo pompa	Pump casing	€ 72,00	2
12a	P0007CLR00005PPG	PP+VTR	Collettore superiore	Upper manifold	€ 13,50	1
12a	P0007CLR00005PC	PP+CF	Collettore superiore	Upper manifold	€ 22,50	1
12a	P0007CLR00005PM	POM+VTR	Collettore superiore	Upper manifold	€ 22,50	1
12a	P0007CLR00005OC	POM+CF	Collettore superiore	Upper manifold	€ 36,50	1
12a	P0007CLR00005FC	PVDF+CF	Collettore superiore	Upper manifold	€ 64,00	1
12b	P0007CLR00006PPG	PP+VTR	Collettore inferiore	Lower manifold	€ 15,00	1
12b	P0007CLR00006PC	PP+CF	Collettore inferiore	Lower manifold	€ 24,50	1
12b	P0007CLR00006PM	POM+VTR	Collettore inferiore	Lower manifold	€ 27,00	1
12b	P0007CLR00006OC	POM+CF	Collettore inferiore	Lower manifold	€ 40,00	1
12b	P0007CLR00006FC	PVDF+CF	Collettore inferiore	Lower manifold	€ 73,50	1
14	SFERAINC13032TF	PTFE	Sfera	Ball	€ 4,00	4
14	SFERAINC13032A4	AISI	Sfera	Ball	€ 4,00	4
19+19a+19b+21	KITVITIP0007P	AISI	Viti, dadi e rondelle	Screws, nuts and washers	€ 10,50	1

PHOENIX P07

32	GUARNORC00119DT	EPDM	O-ring superiore	Upper o-ring	€ 2,00	4
32	GUARNORC00119NR	NBR	O-ring superiore	Upper o-ring	€ 2,00	4
32	GUARNORC00119VT	FPM	O-ring superiore	Upper o-ring	€ 2,00	4
32	GUARNORC00119TF	PTFE	O-ring superiore	Upper o-ring	€ 6,00	4
34	GUARNORC03125NR	NBR	O-ring silenziatore	Silencer o-ring	€ 1,20	1
47	RONDP50C08016A2	AISI	Distanziale	Spacer	€ 1,20	2
*	P0007AN000284A2	AISI	Anello di rinforzo collettore	Reinforcing manifold ring	€ 7,00	2

*	<b>ACCESSORIO/ACCESSORY</b>
---	-----------------------------





**PHOENIX P18**

Fluimac s.r.l.  
Via Brescia, 1  
21049 - Tradate (VA)  
Tel. +39-0331-866688  
Fax +39-0331-864870  
Web: www.fluimac.com  
Mail: info@fluimac.com

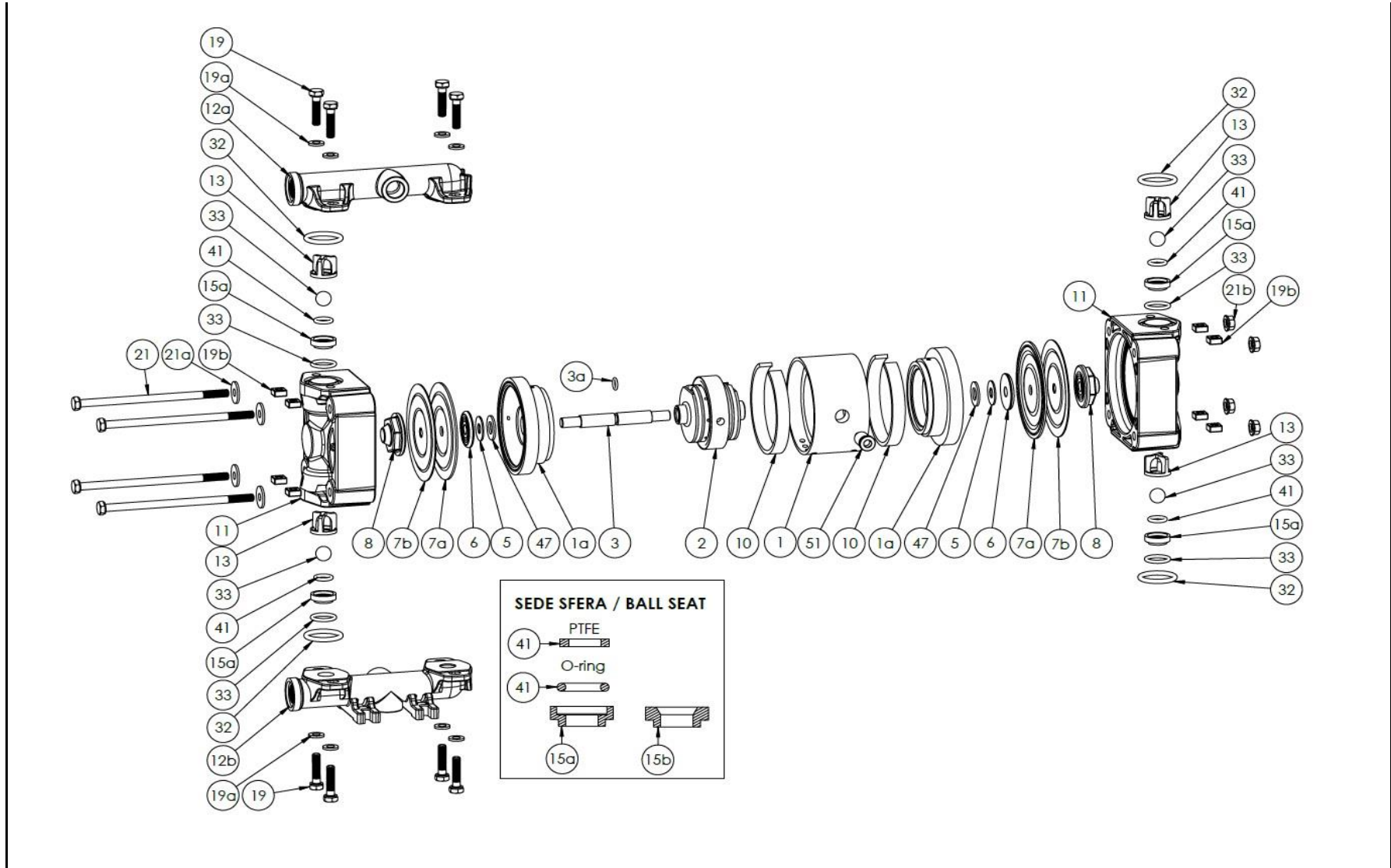
**LISTINO RICAMBI P18**

POSITION	CODE	MATERIAL	DESCRIZIONE	DESCRIPTION	PRICE UNIT Euro	Q. for PUMP
1+1a+2+10+51	P0018CCA000000PP	PP / POMc	Centrale assemblato	Complete central block	€ 171,00	1
3	P0018AL005220A2	AISI	Albero	Shaft	€ 11,00	1
3a	GUARNORC00106NR	NBR	O-ring albero	Shaft O-ring	€ 1,00	1
5	MOLLA70C20081AC	STEEL	Molla a tazza	Belleville washer	€ 1,00	2
6	P0018PT005227AL	ALUMINUM	Piattello lato aria	Air side cap	€ 6,00	2
7a	P0018ME000171HY	HYTREL	Membrana lato aria	Air diaphragm	€ 7,00	2
7a	P0018ME000171SA	SANTOPRENE	Membrana lato aria	Air diaphragm	€ 7,00	2
7b	P0018ME000170TF	PTFE	Membrana lato fluido	Fluid diaphragm	€ 10,50	2
8	P0018CA105092PPG	PP+VTR	Cappello lato fluido	Fluid side cap	€ 13,50	2
8	P0018CA105092EC	ECTFE	Cappello lato fluido	Fluid side cap	€ 22,00	2
11	P0018CP005088PPG	PP+VTR	Corpo pompa	Pump casing	€ 13,00	2
11	P0018CP005088PC	PP+CF	Corpo pompa	Pump casing	€ 32,00	2
11	P0018CP005088PM	POM+VTR	Corpo pompa	Pump casing	€ 28,00	2
11	P0018CP005088OC	POM+CF	Corpo pompa	Pump casing	€ 68,00	2
11	P0018CP005088FC	PVDF+CF	Corpo pompa	Pump casing	€ 95,00	2
11	P0018CPR05241A4	AISI 316 ELECTROPOLISHED	Corpo pompa	Pump casing	€ 95,00	2
12a	P0018CLR05089PPG	PP+VTR	Collettore superiore	Upper manifold	€ 16,00	1
12a	P0018CLR05089PC	PP+CF	Collettore superiore	Upper manifold	€ 27,00	1
12a	P0018CLR05089PM	POM+VTR	Collettore superiore	Upper manifold	€ 26,00	1
12a	P0018CLR05089OC	POM+CF	Collettore superiore	Upper manifold	€ 54,50	1
12a	P0018CLR05089FC	PVDF+CF	Collettore superiore	Upper manifold	€ 72,50	1
12a	P0018CLR05242A4	AISI 316 ELECTROPOLISHED	Collettore superiore	Upper manifold	€ 88,00	1
12a	F0018CLR05264A4	AISI 316 ELECTROPOLISHED	Collettore superiore CLAMP	Upper manifold CLAMP	€ 88,00	1
12b	P0018CLR05090PPG	PP+VTR	Collettore inferiore	Lower manifold	€ 16,00	1
12b	P0018CLR05090PC	PP+CF	Collettore inferiore	Lower manifold	€ 27,00	1
12b	P0018CLR05090PM	POM+VTR	Collettore inferiore	Lower manifold	€ 25,00	1


PHOENIX P18

12b	P0018CLR05090OC	POM+CF	Collettore inferiore	Lower manifold	€ 54,50	1
12b	P0018CLR05090FC	PVDF+CF	Collettore inferiore	Lower manifold	€ 72,50	1
12b	P0018CLR05243A4	AISI 316 ELECTROPOLISHED	Collettore inferiore	Lower manifold	€ 92,00	1
12b	F0018CLR05263A4	AISI 316 ELECTROPOLISHED	Collettore inferiore CLAMP	Lower manifold CLAMP	€ 92,00	1
13	P0018GA005091EC	ECTFE	Gabbia guida sfera	Ball cage guide	€ 3,50	4
33	SFERAINC00012TF	PTFE	Sfera	Ball	€ 4,50	4
33	SFERAINC00012A4	AISI	Sfera	Ball	€ 3,50	4
15a	P0018SD005224PP	PP	Sede sfera	Ball seat	€ 8,00	4
15a	P0018SD005224FV	PVDF	Sede sfera	Ball seat	€ 22,00	4
15a	P0018SD005224PM	POM-C	Sede sfera	Ball seat	€ 9,50	4
15b	P0018SD000089A4	AISI	Sede sfera	Ball seat	€ 8,00	4
19+19a+19b+21+ 21a+21b	KITVITIP0018P	AISI	Viti,dadi e rondelle per plastica	Screws, nuts and washers for plastic	€ 11,00	1
19+19a+19b+21+ 21a+21b	KITVITIP0018S	AISI	Viti,dadi e rondelle per aisi	Screws, nuts and washers for aisi	€ 9,00	1
32	GUARNORC04093DT	EPDM	O-ring superiore	Upper o-ring	€ 3,00	4
32	GUARNORC04093VT	FPM	O-ring superiore	Upper o-ring	€ 3,50	4
32	GUARNORC04093TF	PTFE	Guarnizione superiore	Upper gasket	€ 5,50	4
32	GUARNORC04093NR	NBR	O-ring superiore	Upper gasket	€ 1,20	4
33	GUARNORC00119DT	EPDM	O-ring inferiore	Lower o-ring	€ 2,00	4
33	GUARNORC00119VT	FPM	O-ring inferiore	Lower o-ring	€ 2,20	4
33	GUARNORC00119TF	PTFE	Guarnizione inferiore per plastica	Lower gasket for plastic	€ 2,20	4
33	P0018GN00215TF	PTFE	Guarnizione inferiore per aisi	Lower gasket for aisi	€ 3,50	4
33	GUARNORC00119NR	NBR	O-ring inferiore	Lower o-ring	€ 1,20	4
41	GUARNORC00112DT	EPDM	O-ring interno sede	Seat internal o-ring	€ 2,00	4
41	GUARNORC00112VT	FPM	O-ring interno sede	Seat internal o-ring	€ 2,20	4
41	P0018GN000087TF	PTFE	Guarnizione interna sede	Seat internal gasket	€ 5,50	4
41	GUARNORC00112NR	NBR	O-ring interno sede	Seat internal o-ring	€ 1,20	4
47	P0018DS000037PM	POMc	Distanziale	Spacer	€ 1,20	2
*	P0018AN000183A2	AISI	Anello di rinforzo collettore	Reinforcing manifold ring	€ 9,50	2
*	<b>ACCESSORIO/ACCESSORY</b>					

PHOENIX P18



## PHOENIX P30

<b>PHOENIX P30</b>					Fluimac s.r.l. Via Brescia, 1 21049 - Tradate (VA) Tel. +39-0331-866688 Fax +39-0331-864870 Web: www.fluimac.com Mail: info@fluimac.com	
<b>LISTINO RICAMBI P30</b>					<b>PRICE UNIT Euro</b>	<b>Q. for PUMP</b>
<b>POSITION</b>	<b>CODE</b>	<b>MATERIAL</b>	<b>DESCRIZIONE</b>	<b>DESCRIPTION</b>	<b>PRICE UNIT Euro</b>	<b>Q. for PUMP</b>
1+1a+2+10+51	P0030CCA000000PP	PP	Centrale completo	Complete central block	€ 208,00	1
3	P0030AL000089A2	AISI	Albero	Shaft	€ 11,00	1
3a	GUARNORC00106NR	NBR	O-ring albero	Shaft O-ring	€ 1,00	1
5	MOLLA70C20081AC	STEEL	Molla a tazza	Belleville washer	€ 6,00	2
6	P0018PT005227AL	ALUMINIUM	Piattello lato aria	Air side cap	€ 6,50	2
7a	P0030ME004272HY	HYTREL	Membrana lato aria	Air diaphragm	€ 11,00	2
7a	P0030ME004272SA	SANTOPRENE	Membrana lato aria	Air diaphragm	€ 11,00	2
7b	P0030ME004706TF	PTFE	Membrana lato fluido	Fluid diaphragm	€ 17,00	2
8	P0018CA105092PPG	PP+VTR	Cappello lato fluido	Fluid side cap	€ 16,00	2
8	P0018CA105092EC	ECTFE	Cappello lato fluido	Fluid side cap	€ 22,00	2
11	P0030CP000017PPG	PP+VTR	Corpo pompa	Pump casing	€ 17,00	2
11	P0030CP000017PC	PP+CF	Corpo pompa	Pump casing	€ 38,00	2
11	P0030CP000017PM	POM+VTR	Corpo pompa	Pump casing	€ 40,00	2
11	P0030CP000017OC	POM+CF	Corpo pompa	Pump casing	€ 77,00	2
11	P0030CP000017FC	PVDF+CF	Corpo pompa	Pump casing	€ 147,50	2
11	P0030CPR00121A4	AISI 316 ELECTROPOLISHED	Corpo pompa	Pump casing	€ 158,50	2
11	P0030CP000299AL	ALUMINIUM	Corpo pompa	Pump casing	€ 28,00	2
12a	P0030CLR00019PPG	PP+VTR	Collettore superiore	Upper manifold	€ 17,00	1
12a	P0030CLR00019PC	PP+CF	Collettore superiore	Upper manifold	€ 24,00	1
12a	P0030CLR00019PM	POM+VTR	Collettore superiore	Upper manifold	€ 25,00	1
12a	P0030CLR00019OC	POM+CF	Collettore superiore	Upper manifold	€ 42,50	1
12a	P0030CLR00019FC	PVDF+CF	Collettore superiore	Upper manifold	€ 91,00	1
12a	P0030CLR00122A4	AISI 316 ELECTROPOLISHED	Collettore superiore	Upper manifold	€ 102,00	1
12a	F0030CLR00124A4	AISI 316 ELECTROPOLISHED	Collettore superiore CLAMP	Upper manifold CLAMP	€ 102,00	1
12a	P0030CLR00297AL	ALU	Collettore superiore	Upper manifold	€ 24,50	1

PHOENIX P30

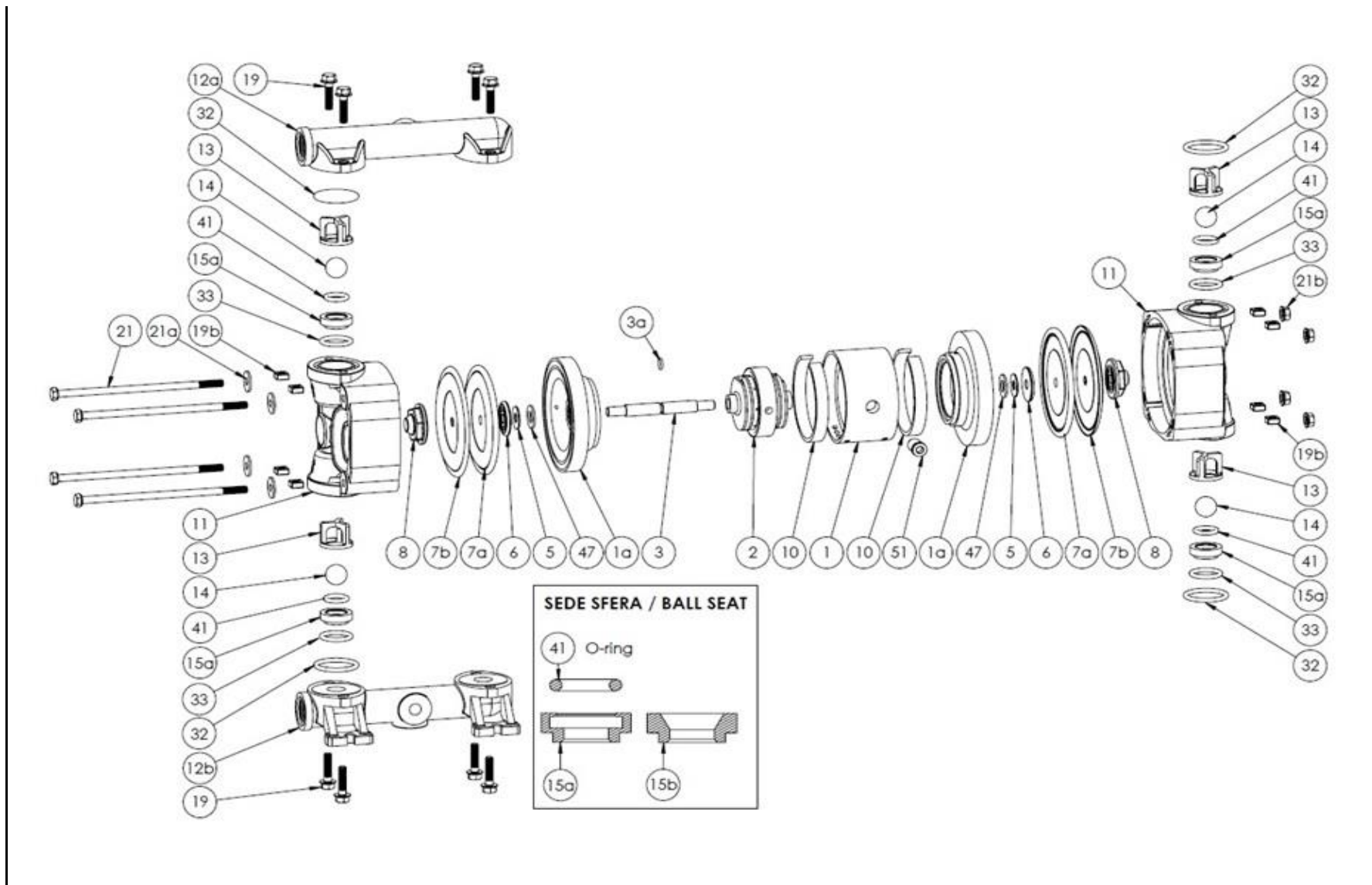
12b	P0030CLR00018PPG	PP+VTR	Collettore inferiore	Lower manifold	€ 20,00	1
12b	P0030CLR00018PC	PP+CF	Collettore inferiore	Lower manifold	€ 27,00	1
12b	P0030CLR00018PM	POM+VTR	Collettore inferiore	Lower manifold	€ 26,00	1
12b	P0030CLR00018OC	POM+CF	Collettore inferiore	Lower manifold	€ 40,00	1
12b	P0030CLR00018FC	PVDF+CF	Collettore inferiore	Lower manifold	€ 110,00	1
12b	P0030CLR00123A4	AISI 316 ELECTROPOLISHED	Collettore inferiore	Lower manifold	€ 110,00	1
12b	F0030CLR00125A4	AISI 316 ELECTROPOLISHED	Collettore inferiore CLAMP	Lower manifold CLAMP	€ 110,00	1
12b	P0030CLR00298AL	ALUMINUM	Collettore inferiore	Lower manifold	€ 26,00	1
13	P0030GA000020EC	ECTFE	Gabbia	Ball cage guide	€ 3,20	4
13	P0030GA000020PP	PP	Gabbia	Ball cage guide	€ 2,10	4
14	SFERAINC11016TF	PTFE	Sfera	Ball	€ 9,00	4
14	SFERAINC11016A4	AISI	Sfera	Ball	€ 8,00	4
14	SFERAINC11016NR	NBR	Sfera	Ball	€ 9,00	4
14	SFERAINC11016DT	EPDM	Sfera	Ball	€ 10,00	4
15a	P0030SD000136PP	PP	Sede sfera con O-ring N° 41	Ball seat with O-ring N°41	€ 8,00	4
15a	P0030SD000136FV	PVDF	Sede sfera con O-ring N° 41	Ball seat with O-ring N°41	€ 16,00	4
15a	P0030SD000136PM	POM-c	Sede sfera con O-ring N° 41	Ball seat with O-ring N°41	€ 9,00	4
15b	P0030SD000090PP	PP	Sede sfera	Ball seat	€ 8,00	4
15b	P0030SD000090FV	PVDF	Sede sfera	Ball seat	€ 16,00	4
15b	P0030SD000090PZ	UHMW HDPE	Sede sfera	Ball seat	€ 7,50	4
15b	P0030SD000090PM	POM-C	Sede sfera	Ball seat	€ 9,00	4
15b	P0030SD000103A4	AISI	Sede sfera	Ball seat	€ 18,00	4
19+19b+21+21+21b	KITVITIP0030A	AISI	Viti, dadi e rondelle per alluminio	Screws, nuts and washers for aluminum	€ 9,00	1
19+19b+21+21+21b	KITVITIP0030P	AISI	Viti, dadi e rondelle per plastica	Screws, nuts and washers for plastic	€ 16,00	1
19+19b+21+21+21b	KITVITIP0030S	AISI	Viti, dadi e rondelle per aisi	Screws, nuts and washers for aisi	€ 9,00	1
32	GUARNORC04118DT	EPDM	O-ring superiore	Upper o-ring	€ 2,20	4
32	GUARNORC04118VT	FPM	O-ring superiore	Upper o-ring	€ 3,50	4
32	GUARNORC04118NR	NBR	O-ring superiore	Upper o-ring	€ 1,20	4
32	GUARNORC04118TF	PTFE	Guarnizione superiore	Upper gasket	€ 5,50	4
33	GUARNORC04081DT	EPDM	O-ring inferiore	Lower o-ring	€ 2,00	4
33	GUARNORC04081VT	FPM	O-ring inferiore	Lower o-ring	€ 2,20	4
33	GUARNORC04081NR	NBR	O-ring inferiore	Lower o-ring	€ 1,20	4

PHOENIX P30

33	P0030GN000092TF	PTFE	Guarnizione inferiore	Lower gasket	€ 4,50	4
41	GUARNORC04055DT	EPDM	O-ring interno sede	Seat internal o-ring	€ 2,00	4
41	GUARNORC04055VT	FPM	O-ring interno sede	Seat internal o-ring	€ 2,20	4
41	GUARNORC04055NR	NBR	O-ring interno sede	Seat internal o-ring	€ 1,20	4
47	P0018DS000037PM	PP	Distanziale corsa	Stroke spacer	€ 1,20	2
*	P0050AN004994A2	AISI	Anello di rinforzo collettore	Reinforcing manifold ring	€ 10,50	2

*	<b>ACCESSORIO/ACCESSORY</b>
---	-----------------------------

PHOENIX P30



## PHOENIX P50

**PHOENIX P50**

Fluimac s.r.l.  
Via Brescia, 1  
21049 - Tradate (VA)  
Tel. +39-0331-866688  
Fax +39-0331-864870  
Web: www.fluimac.com  
Mail: info@fluimac.com

**LISTINO RICAMBI P50**

POSITION	CODE	MATERIAL	DESCRIZIONE	DESCRIPTION	PRICE UNIT Euro	Q. for PUMP
1	P0050CCR04804PPN	PP+VTR	Semicorpo centrale	Central half block	€ 44,00	2
1	P0050CCR04804PC	PP+CF	Semicorpo centrale	Central half block	€ 105,00	2
1	P0050CCR04804PPB	PP+VTR	Semicorpo centrale per FOOD 50	Central half block for FOOD 50	€ 44,00	2
2	E-050	POM-c	Distributore	Pneumatic Exchanger	€ 137,50	1
3	P0050AL004803A2	AISI	Albero	Shaft	€ 21,00	1
3a	GUARNORC02050NR	NBR	O-ring albero	Shaft o-ring	€ 2,00	1
5	MOLLA70C25122AC	STEEL	Molla a tazza	Belleville washer	€ 4,00	2
6	P0050PT004252AL	ALUMINUM	Piattello lato aria	Air side cap	€ 10,00	2
7a	P0050ME004793HY	HYTREL	Membrana lato aria	Air diaphragm	€ 21,00	2
7a	P0050ME004793SA	SANTOPRENE	Membrana lato aria	Air diaphragm	€ 21,00	2
7a	P0050ME000147DT	EPDM	Membrana lato aria	Air diaphragm	€ 74,50	2
7a	P0050ME000147NR	NBR	Membrana lato aria	Air diaphragm	€ 74,50	2
7b	P0050ME004794TF	PTFE	Membrana lato fluido	Fluid diaphragm	€ 47,00	2
8	P0050CA104163PPG	PP+VTR	Cappello lato fluido	Fluid side cap	€ 16,00	2
8	P0050CA104163FC	PVDF	Cappello lato fluido	Fluid side cap	€ 29,00	2
8	P0050CA104163PC	PP+CF	Cappello lato fluido	Fluid side cap	€ 21,00	2
8	P0050CA004938AL	ALUMINUM	Cappello lato fluido	Fluid side cap	€ 18,00	2
8	P0050CAR04441A4	AISI	Cappello lato fluido	Fluid side cap	€ 43,00	3
9	P0050TP004797PP	PP	Tappo semicentrale	Stopper central half block	€ 5,00	1
10	P0050SL004805FL	FELT	Silenziatore	Silencer	€ 5,00	1
11	P0050CP004801PPG	PP+VTR	Corpo pompa	Pump casing	€ 23,00	2
11	P0050CP004801FC	PVDF+CF	Corpo pompa	Pump casing	€ 163,00	2
11	P0050CP004801PC	PP+CF	Corpo pompa	Pump casing	€ 25,00	2
11	P0050CP004806AL	ALUMINUM	Corpo pompa	Pump casing	€ 28,00	2
11	P0050CPR04788A4	AISI 316 ELECTROPOLISHED	Corpo pompa	Pump casing	€ 317,00	2
12	P0050CLR04800PPG	PP+VTR	Collettore superiore/inferiore	Upper/lower manifold	€ 30,00	2

LISTINO 2022

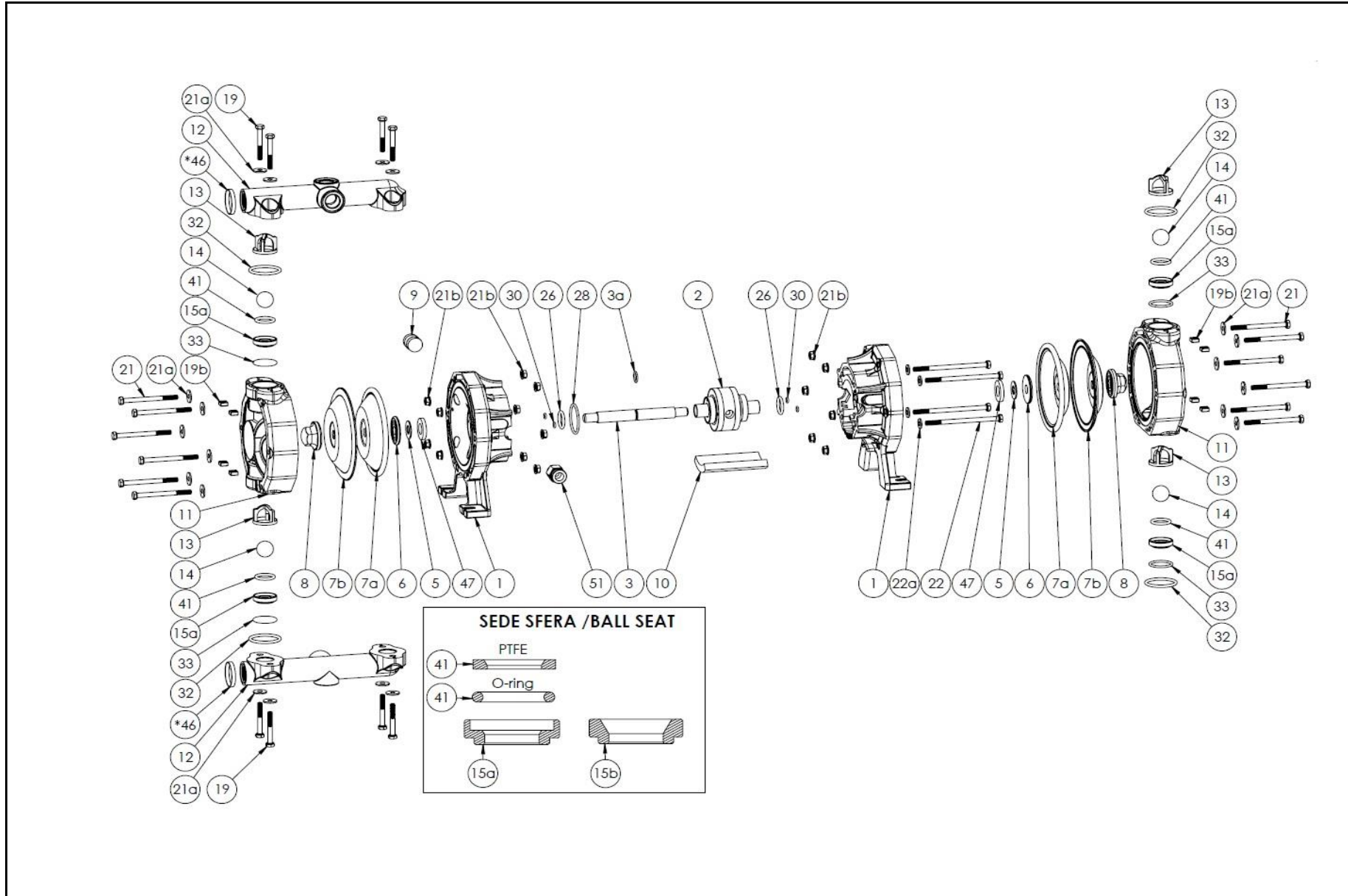
PHOENIX P50

12	P0050CLR04800FC	PVDF+CF	Collettore superiore/inferiore (ESAURITO)	Upper/lower manifold (OUT OF STOCK)	€ 119,00	2
12	P0050CLR04800PC	PP+CF	Collettore superiore/inferiore (ESAURITO)	Upper/lower manifold (OUT OF STOCK)	€ 60,00	2
12	P0050CLR04739AL	ALUMINUM	Collettore superiore/inferiore	Upper/lower manifold	€ 22,00	2
12	P0050CLR04789A4	AISI 316 ELECTROPOLISHED	Collettore superiore/inferiore	Upper/lower manifold	€ 242,50	2
12	F0050CLR04790A4	AISI 316 ELECTROPOLISHED	Collettore superiore/inferiore CLAMP (ESAURITO)	Upper/lower manifold CLAMP (OUT OF STOCK)	€ 242,50	2
13	P0050GA004807PP	PP+VTR	Gabbia	Ball cage guide	€ 4,20	4
13	P0050GA004807EC	ECTFE	Gabbia	Ball cage guide	€ 8,00	4
14	SFERAMMC22022TF	PTFE	Sfera	Ball	€ 14,00	4
14	SFERAMMC22022A2	AISI	Sfera	Ball	€ 10,00	4
14	SFERAMMC00021DT	EPDM	Sfera	Ball	€ 11,00	4
14	SFERAMMC00021NR	NBR	Sfera	Ball	€ 10,00	4
15a	P0050SD005087PP	PP	Sede sfera con o-ring o guarnizione N°41	Ball seat with o-ring or gasket N°41	€ 7,00	4
15a	P0050SD005087FV	PVDF	Sede sfera con o-ring o guarnizione N°41	Ball seat with o-ring or gasket N°41	€ 18,00	4
15b	P0050SD000119PZ	UHMW HDPE	Sede sfera	Ball seat	€ 7,00	4
15b	P0050SD004808AL	ALUMINUM	Sede sfera	Ball seat	€ 13,00	4
15b	P0050SD004808A2	AISI	Sede sfera	Ball seat	€ 18,00	4
19+19b+21+21a+21b	KITVITIP0050A	AISI	Viti, dadi e rondelle per alluminio	Screws, nuts and washers for aluminum	€ 10,00	1
19+19b+21+21a+21b	KITVITIP0050P	AISI	Viti, dadi e rondelle per plastica	Screws, nuts and washers for plastic	€ 20,00	1
19+19b+21+21a+21b	KITVITIP0050S	AISI	Viti, dadi e rondelle per aisi	Screws, nuts and washers for aisi	€ 18,00	1
22	VITEM10C06100AZ	AISI	Viti semicentrale	Central half block screws	€ 1,20	4
22a	RONDP50C06012AZ	AISI	Rondella semicentrale	Central half block washers	€ 1,00	12
22b	DADOM31C00006AZ	AISI	Dadi semicentrale	Central half block nuts	€ 1,20	4
26	GUARNORC04075NR	NBR	O-ring semicorpo centrale	Centrale half block o-ring	€ 1,00	2
28	GUARNORC03150NR	NBR	O-ring semicorpo centrale	Centrale half block o-ring	€ 1,20	2
30	GUARNOMC00402NR	NBR	O-ring semicorpo centrale	Centrale half block o-ring	€ 1,00	4
32	GUARNORC04143NR	NBR	O-ring superiore	Upper o-ring	€ 1,20	4
32	GUARNORC04143VT	FPM	O-ring superiore	Upper o-ring	€ 4,20	4
32	GUARNORC04143DT	EPDM	O-ring superiore	Upper o-ring	€ 4,20	4
32	P0050GN000238TF	PTFE	Guarnizione superiore	Upper gasket	€ 6,30	4
33	GUARNORC03100NR	NBR	O-ring inferiore	Lower o-ring	€ 1,20	4

PHOENIX P50

33	GUARNORC03100VT	FPM	O-ring inferiore	Lower o-ring	€ 4,20	4
33	P0050GN004988TF	PTFE	Guarnizione inferiore	Lower gasket	€ 5,50	4
33	GUARNORC04100DT	EPDM	O-ring inferiore	Lower o-ring	€ 3,50	4
41	GUARNORC04081NR	NBR	O-ring interno sede	Seat internal o-ring	€ 1,20	4
41	GUARNORC04081VT	FPM	O-ring interno sede	Seat internal o-ring	€ 3,50	4
41	P0050GN004989TF	PTFE	Guarnizione interna sede	Seat internal gasket	€ 4,50	4
41	GUARNORC04081DT	EPDM	O-ring interno sede	Seat internal o-ring	€ 3,50	4
*46	P0050AN004994A2	AISI	Anello di rinforzo collettore	Reinforcing manifold ring	€ 11,00	2
47	P0050DS005375PM	POM-c	Distanziale corsa	Stroke Spacer	€ 4,00	2
51	P0050AA004802AL	ALUMINUM	Raccordo aria con o-ring	Air connection with o-ring	€ 14,00	1

*	<b>ACCESSORIO/ACCESSORY</b>
---	-----------------------------



**PHOENIX P55**

Fluimac s.r.l.  
Via Brescia, 1  
21049 - Tradate (VA)  
Tel. +39-0331-866688  
Fax +39-0331-864870  
Web: www.fluimac.com  
Mail: info@fluimac.com

**LISTINO RICAMBI P55**

POSITION	CODE	MATERIAL	DESCRIZIONE	DESCRIPTION	PRICE UNIT Euro	Q. for PUMP
1	P0055CC000427PPN	PP+VTR	Semicorpo centrale P55	Central half block P55	€ 44,00	2
1	P0055CC000427PC	PP+CF	Semicorpo centrale P55	Central half block P55	€ 105,00	2
2	E-050	POM-c	Distributore	Pneumatic Exchanger	€ 137,50	1
3	P0050AL004803A2	AISI	Albero	Shaft	€ 21,00	1
3a	GUARNORC02050NR	NBR	O-ring albero	Shaft o-ring	€ 2,00	1
5	MOLLA70C25122AC	STEEL	Molla a tazza	Belleville washer	€ 4,00	2
6	P0050PT004252AL	ALUMINUM	Piattello lato aria	Air side cap	€ 10,00	2
7a	P0050ME004793HY	HYTREL	Membrana lato aria	Air diaphragm	€ 21,00	2
7a	P0050ME004793SA	SANTOPRENE	Membrana lato aria	Air diaphragm	€ 21,00	2
7a	P0050ME000147DT	EPDM	Membrana lato aria	Air diaphragm	€ 75,00	2
7a	P0050ME000147NR	NBR	Membrana lato aria	Air diaphragm	€ 75,00	2
7b	P0050ME004794TF	PTFE	Membrana lato fluido	Fluid diaphragm	€ 47,00	2
8	P0050CA104163PPG	PP+VTR	Cappello lato fluido	Fluid side cap	€ 16,00	2
8	P0050CA104163FC	PVDF	Cappello lato fluido	Fluid side cap	€ 29,00	2
8	P0050CA104163PC	PP+CF	Cappello lato fluido	Fluid side cap	€ 21,00	2
8	P0050CA004938AL	ALUMINUM	Cappello lato fluido	Fluid side cap	€ 18,00	2
9	P0050TP004797PP	PP	Tappo semicentrale	Stopper central half block	€ 5,00	1
10	P0050SL004805FL	FELT	Silenziatore	Silencer	€ 5,50	1
11	P0050CP004801PPG	PP+VTR	Corpo pompa	Pump casing	€ 23,00	2
11	P0050CP004801FC	PVDF+CF	Corpo pompa	Pump casing	€ 163,00	2
11	P0050CP004801PC	PP+CF	Corpo pompa	Pump casing	€ 25,00	2
11	P0050CP004806AL	ALUMINUM	Corpo pompa	Pump casing	€ 29,00	2
	P0060CLR00279PPG	PP+VTR	Collettore superiore	Upper manifold	€ 33,00	1
	P0060CLR00279FC	PVDF+CF	Collettore superiore	Upper manifold	€ 142,00	1
	P0060CLR00279PC	PP+CF	Collettore superiore	Upper manifold	€ 53,00	1
	P0060CLR00281AL	ALUMINUM	Collettore superiore	Upper manifold	€ 31,00	1
	P0060CLR00280PPG	PP+VTR	Collettore inferiore	Lower manifold	€ 35,00	1

PHOENIX P55

	P0060CLR00280FC	PVDF+CF	Collettore inferiore	Lower manifold	€ 207,00	1
	P0060CLR00280PC	PP+CF	Collettore inferiore	Lower manifold	€ 61,00	1
	P0060CLR00282AL	ALUMINUM	Collettore inferiore	Lower manifold	€ 35,00	1
13	P0050GA004807PP	PP+VTR	Gabbia	Ball cage guide	€ 4,20	4
13	P0050GA004807EC	ECTFE	Gabbia	Ball cage guide	€ 8,00	4
14	SFERAMMC22022TF	PTFE	Sfera	Ball	€ 14,00	4
14	SFERAMMC22022A2	AISI	Sfera	Ball	€ 10,00	4
14	SFERAMMC00021DT	EPDM	Sfera	Ball	€ 11,00	4
14	SFERAMMC00021NR	NBR	Sfera	Ball	€ 10,00	4
15a	P0050SD005087PP	PP	Sede sfera con o-ring o guarnizione N°41	Ball seat with o-ring or gasket N°41	€ 7,00	4
15a	P0050SD005087FV	PVDF	Sede sfera con o-ring o guarnizione N°41	Ball seat with o-ring or gasket N°41	€ 18,00	4
15b	P0050SD000119PZ	UHMW HDPE	Sede sfera	Ball seat	€ 7,00	4
15b	P0050SD004808AL	ALUMINUM	Sede sfera	Ball seat	€ 13,00	4
15b	P0050SD004808A2	AISI	Sede sfera	Ball seat	€ 18,00	4
19+19b+21+21a+21b	KITVITIP0060A	AISI	Viti, dadi e rondelle per alluminio	Screws, nuts and washers for aluminum	€ 9,50	1
19+19b+21+21a+21b	KITVITIP0060P	AISI	Viti, dadi e rondelle per plastica	Screws, nuts and washers for plastic	€ 20,00	1
22	VITEM10C06100AZ	AISI	Viti semicentrale	Central half block screws	€ 1,20	4
22a	RONDP50C06012AZ	AISI	Rondella semicentrale	Central half block washers	€ 1,00	12
22b	DADOM31C00006AZ	AISI	Dadi semicentrale	Central half block nuts	€ 1,20	4
26	GUARNORC04075NR	NBR	O-ring semicorpo centrale	Centrale half block o-ring	€ 1,00	2
28	GUARNORC03150NR	NBR	O-ring semicorpo centrale	Centrale half block o-ring	€ 1,20	2
30	GUARNOMC00402NR	NBR	O-ring semicorpo centrale	Centrale half block o-ring	€ 1,00	4
32	GUARNORC04143NR	NBR	O-ring superiore	Upper o-ring	€ 1,20	4
32	GUARNORC04143VT	FPM	O-ring superiore	Upper o-ring	€ 4,20	4
32	GUARNORC04143DT	EPDM	O-ring superiore	Upper o-ring	€ 4,20	4
32	P0050GN000238TF	PTFE	Guarnizione superiore	Upper gasket	€ 6,00	4
33	GUARNORC04100NR	NBR	O-ring inferiore	Lower o-ring	€ 1,20	4
33	GUARNORC04100VT	FPM	O-ring inferiore	Lower o-ring	€ 4,20	4
33	P0050GN004988TF	PTFE	Guarnizione inferiore	Lower gasket	€ 5,50	4
33	GUARNORC04100DT	EPDM	O-ring inferiore	Lower o-ring	€ 3,50	4
41	GUARNORC04081NR	NBR	O-ring interno sede	Seat internal o-ring	€ 1,20	4
41	GUARNORC04081VT	FPM	O-ring interno sede	Seat internal o-ring	€ 3,50	4
41	P0050GN004989TF	PTFE	Guarnizione interna sede	Seat internal gasket	€ 4,50	4

PHOENIX P55

41	GUARNORC04081DT	EPDM	O-ring interno sede	Seat internal o-ring	€ 3,50	4
*46	P0050AN004994A2	AISI	Anello di rinforzo collettore	Reinforcing ring manifold	€ 10,50	2
47	P0050DS005375PM	POM-c	Distanziale corsa	Stroke Spacer	€ 4,00	2
51	P0050AA004802AL	ALUMINUM	Raccordo aria con o-ring	Air connection with o-ring	14,00	1

*	<b>ACCESSORIO/ACCESSORY</b>
---	-----------------------------

**PHOENIX P55 S**

Fluimac s.r.l.  
Via Brescia, 1  
21049 - Tradate (VA)  
Tel. +39-0331-866688  
Fax +39-0331-864870  
Web: www.fluimac.com  
Mail: info@fluimac.com

**LISTINO RICAMBI P55 S**

POSITION	CODE	MATERIAL	DESCRIZIONE	DESCRIPTION	PRICE UNIT Euro	Q. for PUMP
1	P0055CC000427PPN	PP+VTR	Semicorpo centrale P55	Central half block P55	€ 44,00	2
1	P0055CC000427PC	PP+CF	Semicorpo centrale P55	Central half block P55	€ 105,00	2
1	P0055CC000427PPB	PP+VTR	Semicorpo centrale per FOOD 55	Central half block for FOOD 55	€ 44,00	2
2	E-050	POM-c	Distributore	Pneumatic Exchanger	€ 137,50	1
3	P0050AL004803A2	AISI	Albero	Shaft	€ 21,00	1
3a	GUARNORC02050NR	NBR	O-ring albero	Shaft o-ring	€ 2,00	1
5	MOLLA70C25122AC	STEEL	Molla a tazza	Belleville washer	€ 4,00	2
6	P0050PT004252AL	ALUMINUM	Piattello lato aria	Air side cap	€ 10,00	2
7a	P0050ME004793HY	HYTREL	Membrana lato aria	Air diaphragm	€ 21,00	2
7a	P0050ME004793SA	SANTOPRENE	Membrana lato aria	Air diaphragm	€ 21,00	2
7a	P0050ME000147DT	EPDM	Membrana lato aria	Air diaphragm	€ 75,00	2
7a	P0050ME000147NR	NBR	Membrana lato aria	Air diaphragm	€ 75,00	2
7b	P0050ME004794TF	PTFE	Membrana lato fluido	Fluid diaphragm	€ 47,00	2
8	P0050CAR04441A4	AISI	Cappellotto lato fluido	Fluid side cap	€ 43,00	3
9	P0050TP004797PP	PP	Tappo semicentrale	Stopper central half block	€ 5,00	1
10	P0050SL004805FL	FELT	Silenziatore	Silencer	€ 5,00	1
11	P0060CPR00292A4	AISI ELECTROPOLISHED	Corpo pompa	Pump casing	€ 242,50	2
	P0060CLR00293A4	AISI ELECTROPOLISHED	Collettore superiore	Upper manifold	€ 204,00	1
	F0060CLR00295A4	AISI ELECTROPOLISHED	Collettore superiore CLAMP	Upper manifold CLAMP	€ 210,00	1
	P0060CLR00294A4	AISI ELECTROPOLISHED	Collettore inferiore	Lower manifold	€ 210,00	1
	F0060CLR00296A4	AISI ELECTROPOLISHED	Collettore inferiore CLAMP	Lower manifold CLAMP	€ 215,00	1
14	SFERAMMC22022TF	PTFE	Sfera	Ball	€ 14,00	4
14	SFERAMMC22022A2	AISI	Sfera	Ball	€ 10,00	4
14	SFERAMMC00021DT	EPDM	Sfera	Ball	€ 11,00	4
14	SFERAMMC00021NR	NBR	Sfera	Ball	€ 10,00	4

PHOENIX P55S

15a	P0050SD005087PP	PP	Sede sfera con o-ring o guarnizione N°41	Ball seat with o-ring or gasket N°41	€ 7,00	4
15a	P0050SD005087FV	PVDF	Sede sfera con o-ring o guarnizione N°41	Ball seat with o-ring or gasket N°41	€ 18,00	4
15b	P0050SD000119PZ	UHMW HDPE	Sede sfera	Ball seat	€ 7,00	4
15b	P0050SD004808AL	ALUMINUM	Sede sfera	Ball seat	€ 13,00	4
15b	P0050SD004808A2	AISI	Sede sfera	Ball seat	€ 18,00	4
19+19b+21+21a+21b	KITVITIP0060S	AISI	Viti, dadi e rondelle per aisi	Screws, nuts and washers for aisi	€ 18,00	1
22	VITEM10C06100AZ	AISI	Viti semicentrale	Central half block screws	€ 1,20	4
22a	RONDP50C06012AZ	AISI	Rondella semicentrale	Central half block washers	€ 1,00	12
22b	DADOM31C00006AZ	AISI	Dadi semicentrale	Central half block nuts	€ 1,20	4
26	GUARNORC04075NR	NBR	O-ring semicorpo centrale	Centrale half block o-ring	€ 1,00	2
28	GUARNORC03150NR	NBR	O-ring semicorpo centrale	Centrale half block o-ring	€ 1,20	2
30	GUARNOMC00402NR	NBR	O-ring semicorpo centrale	Centrale half block o-ring	€ 1,00	4
32	GUARNORC04143NR	NBR	O-ring superiore	Upper o-ring	€ 1,20	4
32	GUARNORC04143VT	FPM	O-ring superiore	Upper o-ring	€ 4,20	4
32	GUARNORC04143DT	EPDM	O-ring superiore	Upper o-ring	€ 4,20	4
32	P0050GN000238TF	PTFE	Guarnizione superiore	Upper gasket	€ 6,00	4
33	GUARNORC04100NR	NBR	O-ring inferiore	Lower o-ring	€ 1,20	4
33	GUARNORC04100VT	FPM	O-ring inferiore	Lower o-ring	€ 4,20	4
33	P0050GN004988TF	PTFE	Guarnizione inferiore	Lower gasket	€ 5,50	4
33	GUARNORC04100DT	EPDM	O-ring inferiore	Lower o-ring	€ 3,50	4
41	GUARNORC04081NR	NBR	O-ring interno sede	Seat internal o-ring	€ 1,20	4
41	GUARNORC04081VT	FPM	O-ring interno sede	Seat internal o-ring	€ 3,50	4
41	P0050GN004989TF	PTFE	Guarnizione interna sede	Seat internal gasket	€ 4,50	4
41	GUARNORC04081DT	EPDM	O-ring interno sede	Seat internal o-ring	€ 3,50	4
*46	P0050AN004994A2	AISI	Anello di rinforzo collettore	Reinforcing ring manifold	€ 10,50	2
47	P0050DS005375PM	POM-c	Distanziale corsa	Stroke Spacer	€ 4,00	2
51	P0050AA004802AL	ALUMINUM	Raccordo aria con o-ring	Air connection with o-ring	14,00	1

*	<b>ACCESSORIO/ACCESSORY</b>
---	-----------------------------

**PHOENIX P60**

Fluimac s.r.l.  
Via Brescia, 1  
21049 - Tradate (VA)  
Tel. +39-0331-866688  
Fax +39-0331-864870  
Web: www.fluimac.com  
Mail: info@fluimac.com

**LISTINO RICAMBI P60**

POSITION	CODE	MATERIAL	DESCRIZIONE	DESCRIPTION	PRICE UNIT Euro	Q. for PUMP
1	P0060CCR00242PPN	PP+VTR	Centrale	Central block	€ 133,00	1
1	P0060CCR00242PC	PP+CF	Centrale	Central block	€ 189,00	1
2	E-060	POM-c	Distributore	Pneumatic Exchanger	€ 88,00	1
3	P0050AL004803A2	AISI	Albero	Shaft	€ 21,00	1
3a	GUARNORC02050NR	NBR	O-ring albero	Shaft o-ring	€ 2,00	1
4a	C-400	POM-c	Comando	Command	€ 102,00	1
5	MOLLA70C25122AC	STEEL	Molla a tazza	Belleville washer	€ 3,50	2
6	P0050PT004252AL	ALUMINUM	Piattello lato aria	Air side cap	€ 10,00	2
7a	P0050ME004793HY	HYTREL	Membrana lato aria	Air diaphragm	€ 21,00	2
7a	P0050ME004793SA	SANTOPRENE	Membrana lato aria	Air diaphragm	€ 21,00	2
7a	P0050ME000147DT	EPDM	Membrana lato aria	Air diaphragm	€ 74,50	2
7a	P0050ME000147NR	NBR	Membrana lato aria	Air diaphragm	€ 74,50	2
7b	P0050ME004794TF	PTFE	Membrana lato fluido	Fluid diaphragm	€ 47,00	2
8	P0050CA104163PPG	PP+VTR	Cappello lato fluido	Fluid side cap	€ 17,00	2
8	P0050CA104163FC	PVDF	Cappello lato fluido	Fluid side cap	€ 29,00	2
8	P0050CA104163PC	PP+CF	Cappello lato fluido	Fluid side cap	€ 21,00	2
8	P0050CA004938AL	ALUMINUM	Cappello lato fluido	Fluid side cap	€ 19,00	2
9	P0400GR000066PPN	PP	Griglia silenziatore	Silencer grid	€ 4,20	1
10	P0400SL000202FL	FELT	Silenziatore	Silencer	€ 7,50	1
11	P0050CP004801PPG	PP+VTR	Corpo pompa	Pump casing	€ 23,00	2
11	P0050CP004801FC	PVDF+CF	Corpo pompa	Pump casing	€ 163,00	2
11	P0050CP004801PC	PP+CF	Corpo pompa	Pump casing	€ 25,00	2
11	P0050CP004806AL	ALUMINUM	Corpo pompa	Pump casing	€ 29,00	2
12a	P0060CLR00279PPG	PP+VTR	Collettore superiore	Upper manifold	€ 33,00	1
12a	P0060CLR00279FC	PVDF+CF	Collettore superiore	Upper manifold	€ 142,00	1
12a	P0060CLR00279PC	PP+CF	Collettore superiore	Upper manifold	€ 53,00	1

PHOENIX P60

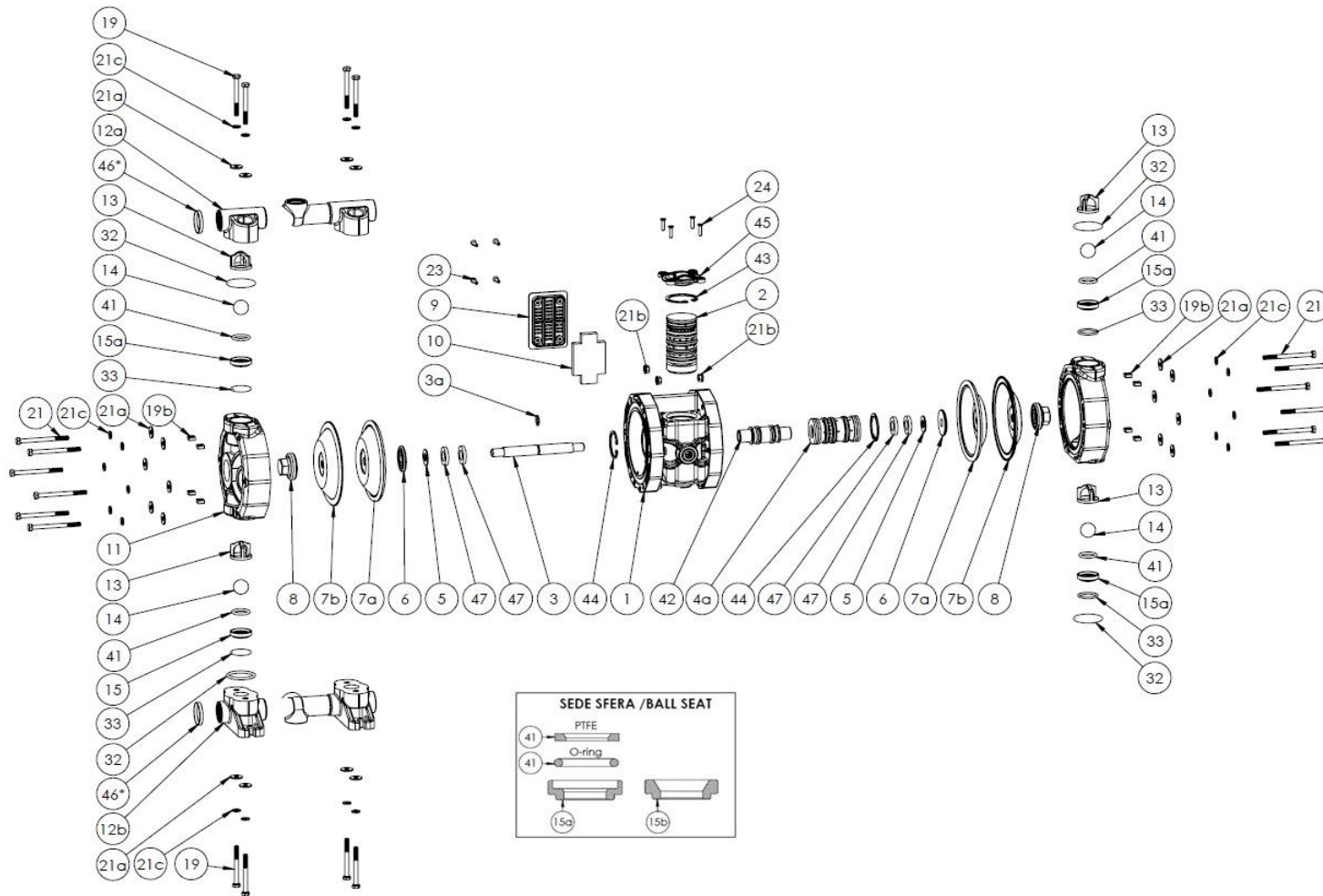
12a	P0060CLR00281AL	ALUMINUM	Collettore superiore	Upper manifold	€ 31,00	1
12b	P0060CLR00280PPG	PP+VTR	Collettore inferiore	Lower manifold	€ 35,00	1
12b	P0060CLR00280FC	PVDF+CF	Collettore inferiore	Lower manifold	€ 207,00	1
12b	P0060CLR00280PC	PP+CF	Collettore inferiore	Lower manifold	€ 61,00	1
12b	P0060CLR00282AL	ALUMINUM	Collettore inferiore	Lower manifold	€ 35,00	1
13	P0050GA004807PP	PP+VTR	Gabbia	Ball cage guide	€ 4,20	4
13	P0050GA004807EC	ECTFE	Gabbia	Ball cage guide	€ 8,00	4
14	SFERAMMC22022TF	PTFE	Sfera	Ball	€ 14,00	4
14	SFERAMMC22022A2	AISI	Sfera	Ball	€ 10,00	4
14	SFERAMMC00021DT	EPDM	Sfera	Ball	€ 10,00	4
14	SFERAMMC00021NR	NBR	Sfera	Ball	€ 9,00	4
15a	P0050SD005087PP	PP	Sede sfera con o-ring o guarnizione N°41	Ball seat with o-ring or gasket N°41	€ 7,00	4
15a	P0050SD005087FV	PVDF	Sede sfera con o-ring o guarnizione N°41	Ball seat with o-ring or gasket N°41	€ 18,00	4
15b	P0050SD000119PZ	UHMW HDPE	Sede sfera	Ball seat	€ 7,00	4
15b	P0050SD004808AL	ALUMINUM	Sede sfera	Ball seat	€ 13,00	4
15b	P0050SD004808A2	AISI	Sede sfera	Ball seat	€ 14,00	4
19+19b+21+21a+21b+21c	KITVITIP0060A	AISI	Viti, dadi e rondelle per alluminio	Screws, nuts and washers for aluminum	€ 9,50	1
19+19b+21+21a+21b+21c	KITVITIP0060P	AISI	Viti, dadi e rondelle per plastica	Screws, nuts and washers for plastic	€ 20,00	1
23	VITEA18C04018A2	AISI	Viti griglia silenziatore	Silencer grid screw	€ 1,20	4
24	VITEM10C04016A2	AISI	Viti tappo distributore	Screw cover Pneumatic exchanger	€ 1,20	4
32	GUARNORC04143NR	NBR	O-ring superiore	Upper o-ring	€ 1,20	4
32	GUARNORC04143VT	FPM	O-ring superiore	Upper o-ring	€ 4,20	4
32	GUARNORC04143DT	EPDM	O-ring superiore	Upper o-ring	€ 4,20	4
32	P0050GN000238TF	PTFE	Guarnizione superiore	Upper gasket	€ 6,00	4
33	GUARNORC04100NR	NBR	O-ring inferiore	Lower o-ring	€ 1,20	4
33	GUARNORC04100VT	FPM	O-ring inferiore	Lower o-ring	€ 4,20	4
33	P0050GN004988TF	PTFE	Guarnizione inferiore	Lower gasket	€ 5,50	4
33	GUARNORC04100DT	EPDM	O-ring inferiore	Lower o-ring	€ 3,50	4
41	GUARNORC04081NR	NBR	O-ring interno sede	Seat internal o-ring	€ 1,20	4
41	GUARNORC04081VT	FPM	O-ring interno sede	Seat internal o-ring	€ 3,50	4
41	P0050GN004989TF	PTFE	Guarnizione interna sede	Seat internal gasket	€ 4,50	4
41	GUARNORC04081DT	EPDM	O-ring interno sede	Seat internal o-ring	€ 3,50	4
43	SEEGEFOC04517AC	STEEL	Seeger distributore	Seeger pneumatic exchanger	€ 4,50	1

PHOENIX P60

44	SEEGEFOC04017AC	STEEL	Seeger centrale	Seeger central block	€ 4,50	2
45	P0060TP000283PPN	PP+VTR	Tappo distributore	Pneumatic exchanger cover	€ 8,00	1
*46	P0050AN004994A2	AISI	Anello di rinforzo collettore	Reinforcing ring manifold	€ 10,50	2
47	P0050DS005375PM	POM-c	Distanziale corsa	Stroke Spacer	€ 4,00	2

*	<b>ACCESSORIO/ACCESSORY</b>
---	-----------------------------

# PHOENIX P60



**PHOENIX P60 S**

Fluimac s.r.l.  
Via Brescia, 1  
21049 - Tradate (VA)  
Tel. +39-0331-866688  
Fax +39-0331-864870  
Web: www.fluimac.com  
Mail: info@fluimac.com

**LISTINO RICAMBI P60 S**

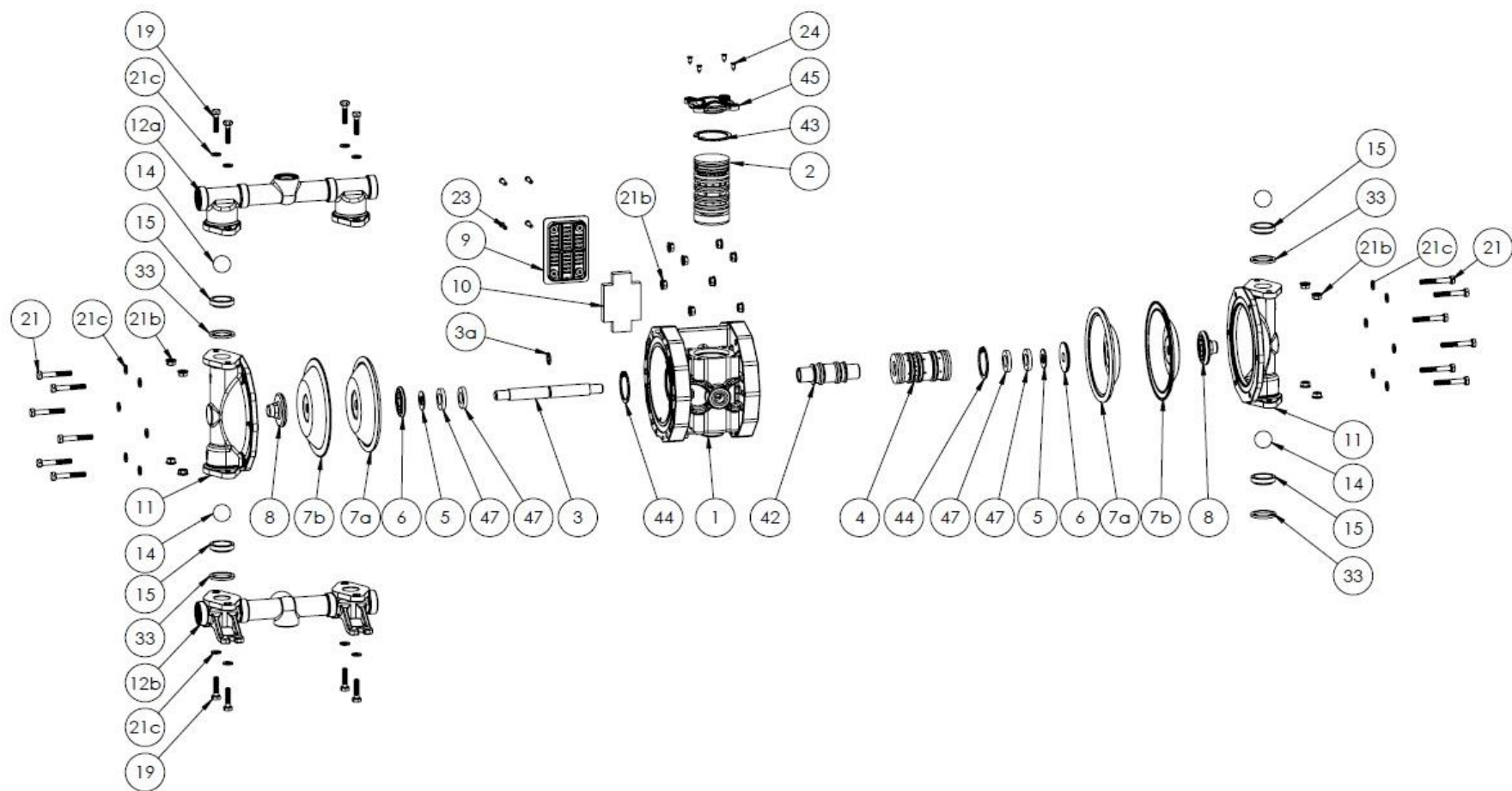
POSITION	CODE	MATERIAL	DESCRIZIONE	DESCRIPTION	PRICE UNIT Euro	Q. for PUMP
1	P0060CCR00242PPN	PP+VTR	Centrale	Central block	€ 133,00	1
1	P0060CCR00242PC	PP+CF	Centrale	Central block	€ 189,00	1
1	P0060CCR00242PPB	PP+VTR	Centrale per FOOD 60	Central block for FOOD 60	€ 133,00	1
2	E-060	POM-c	Distributore	Pneumatic Exchanger	€ 88,00	1
3	P0050AL004803A2	AISI	Albero	Shaft	€ 21,00	1
3a	GUARNORC02050NR	NBR	O-ring albero	Shaft o-ring	€ 2,00	1
4a	C-400	POM-c	Comando	Command	€ 102,00	1
5	MOLLA70C25122AC	STEEL	Molla a tazza	Belleville washer	€ 4,00	2
6	P0050PT004252AL	ALUMINUM	Piattello lato aria	Air side cap	€ 10,00	2
7a	P0050ME004793HY	HYTREL	Membrana lato aria	Air diaphragm	€ 21,00	2
7a	P0050ME004793SA	SANTOPRENE	Membrana lato aria	Air diaphragm	€ 21,00	2
7a	P0050ME000147DT	EPDM	Membrana lato aria	Air diaphragm	€ 75,00	2
7a	P0050ME000147NR	NBR	Membrana lato aria	Air diaphragm	€ 75,00	2
7b	P0050ME004794TF	PTFE	Membrana lato fluido	Fluid diaphragm	€ 47,00	2
8	P0050CAR04441A4	AISI	Cappellotto lato fluido	Fluid side cap	€ 43,00	2
9	P0400GR000066PPN	PP	Griglia silenziatore	Silencer grid	€ 4,20	1
10	P0400SL000202FL	FELT	Silenziatore	Silencer	€ 7,50	1
11	P0060CPR00292A4	AISI ELECTROPOLISHED	Corpo pompa	Pump casing	€ 242,50	2
12a	P0060CLR00293A4	AISI ELECTROPOLISHED	Collettore superiore	Upper manifold	€ 205,00	1
12a	F0060CLR00295A4	AISI ELECTROPOLISHED	Collettore superiore CLAMP	Upper manifold CLAMP	€ 210,00	1
12b	P0060CLR00294A4	AISI ELECTROPOLISHED	Collettore inferiore	Lower manifold	€ 210,00	1
12b	F0060CLR00296A4	AISI ELECTROPOLISHED	Collettore inferiore CLAMP	Lower manifold CLAMP	€ 215,00	1
14	SFERAMMC22022TF	PTFE	Sfera	Ball	€ 14,00	4
14	SFERAMMC22022A2	AISI	Sfera	Ball	€ 10,00	4
15b	P0050SD004808A2	AISI	Sede sfera	Ball seat	€ 15,00	4

PHOENIX P60S

19+19b+21+21a+ 21b+21c	KITVITIP0060S	AISI	Viti, dadi e rondelle per aisi	Screws, nuts and washers for aisi	€ 18,00	1
23	VITEA18C04018A2	AISI	Viti griglia silenziatore	Silencer grid screw	€ 1,20	4
24	VITEM10C04016A2	AISI	Viti tappo distributore	Screw cover Pneumatic exchanger	€ 1,20	4
33	GUARNORC04100NR	NBR	O-ring inferiore	Lower o-ring	€ 1,20	4
33	GUARNORC04100VT	FPM	O-ring inferiore	Lower o-ring	€ 4,20	4
33	P0050GN004988TF	PTFE	Guarnizione inferiore	Lower gasket	€ 5,50	4
33	GUARNORC04100DT	EPDM	O-ring inferiore	Lower o-ring	€ 3,50	4
43	SEEGEFOC04517AC	STEEL	Seeger distributore	Seeger pneumatic exchanger	€ 4,50	1
44	SEEGEFOC04017AC	STEEL	Seeger centrale	Seeger central block	€ 4,50	2
45	P0060TP000283PPN	PP+VTR	Tappo distributore	Pneumatic exchanger cover	€ 8,00	1
47	P0050DS005375PM	POM-c	Distanziale corsa	Stroke Spacer	€ 4,00	2

*	<b>ACCESSORIO/ACCESSORY</b>
---	-----------------------------

PHOENIX P60S



**PHOENIX P65**

Fluimac s.r.l.  
Via Brescia, 1  
21049 - Tradate (VA)  
Tel. +39-0331-866688  
Fax +39-0331-864870  
Web: www.fluimac.com  
Mail: info@fluimac.com

**LISTINO RICAMBI P65**

POSITION	CODE	MATERIAL	DESCRIZIONE	DESCRIPTION	PRICE UNIT Euro	Q. for PUMP
1	P0065CCR04172PPN	PP+VTR	Centrale	Central block	€ 121,00	1
1	P0065CCR04172PC	PC+CF	Centrale	Central block	€ 168,00	1
1a	GUARNORC03075NR	NBR	O-ring centrale	Central block o-ring	€ 1,00	1
2	E-065	POM-c	Distributore	Pneumatic Exchanger	€ 88,00	1
3	P0065AL004249A2	AISI	Albero	Shaft	€ 21,00	1
3a	GUARNORC02050NR	NBR	O-ring albero	Shaft o-ring	€ 2,00	1
4+42	C-065	POM-c	Comando	Command	€ 79,00	1
5	MOLLA70C25122AC	STEEL	Molla a tazza	Belleville washer	€ 4,00	2
6	P0050PT004252AL	ALUMINUM	Piattello	Air side cap	€ 10,00	2
7a	P0065ME004157HT	HYTREL	Membrana lato aria	Air diaphragm	€ 25,00	2
7a	P0065ME004157SA	SANTOPRENE	Membrana lato aria	Air diaphragm	€ 25,00	2
7a	P0065ME004709DT	EPDM	Membrana lato aria	Air diaphragm	€ 81,00	2
7a	P0065ME004709NR	NBR	Membrana lato aria	Air diaphragm	€ 81,00	2
7b	P0065ME004261TF	PTFE	Membrana lato fluido	Fluid diaphragm	€ 55,00	2
8	P0050CA104163PPG	PP+VTR	Cappellotto lato fluido	Fluid side cap	€ 17,00	2
8	P0050CA104163FC	PVDF+CF	Cappellotto lato fluido	Fluid side cap	€ 29,00	2
8	P0050CA104163PC	PP+CF	Cappellotto lato fluido	Fluid side cap	€ 21,00	2
8	P0050CA004938AL	ALUMINUM	Cappellotto lato fluido	Fluid side cap	€ 19,00	2
8	P0050CAR04441A4	AISI	Cappellotto lato fluido	Fluid side cap	€ 43,00	2
9	P0065GR004170PPN	PP+VTR	Griglia silenziatore	Silencer grid	€ 8,00	1
10a	P0065SL004266FL	FELT	Silenziatore esterno	External silencer	€ 4,00	1
10b	P0065SL004638FL	FELT	Silenziatore interno	Internal silencer	€ 4,00	1
11	P0065CPR004161PPG	PP+VTR	Corpo pompa	Pump casing	€ 44,00	2
11	P0065CPR04161FC	PVDF+CF	Corpo pompa	Pump casing	€ 331,00	2
11	P0065CPR04161PC	PP+CF	Corpo pompa	Pump casing	€ 110,00	2
11	P0065CPR04192AL	ALUMINUM	Corpo pompa	Pump casing	€ 37,00	2
11	P0065CPR04295A4	AISI 316	Corpo pompa	Pump casing	€ 331,00	2

PHOENIX P65

12	P0065CLR04168PPG	PP+VTR	Collettore superiore/inferiore	Upper/lower manifold	€ 36,00	2
12	P0065CLR04168FC	PVDF+CF	Collettore superiore/inferiore	Upper/lower manifold	€ 124,00	2
12	P0065CLR04168PC	PP+CF	Collettore superiore/inferiore	Upper/lower manifold	€ 77,00	2
12	P0065CLR04207AL	ALUMINUM	Collettore superiore/inferiore	Upper/lower manifold	€ 29,00	2
12a	P0065CLR04712A4	AISI 316	Collettore superiore	Upper manifold	€ 238,00	2
12b	P0065CLR04713A4	AISI 316	Collettore inferiore	Lower manifold	€ 305,50	2
13	P0050GA004807PP	PP+VTR	Gabbia	Ball cage guide	€ 4,20	4
13	P0050GA004807EC	ECTFE	Gabbia	Ball cage guide	€ 8,00	4
14	SFERAMMC22022TF	PTFE	Sfera	Ball	€ 14,00	4
14	SFERAMMC22022A2	AISI	Sfera	Ball	€ 10,00	4
14	SFERAMMC00021DT	EPDM	Sfera	Ball	€ 11,00	4
14	SFERAMMC00021NR	NBR	Sfera	Ball	€ 10,00	4
15a	P0065SD005095PP	PP	Sede sfera con o-ring N°41	Ball seat with o-ring N°41	€ 9,50	4
15a	P0065SD005095FV	PVDF	Sede sfera con o-ring N°41	Ball seat with o-ring N°41	€ 23,00	4
15b	P0065SD005096PP	PP	Sede sfera con guarnizione PTFE N°41	Ball seat with gasket PTFE N°41	€ 9,50	4
15b	P0065SD005096FV	PVDF	Sede sfera con guarnizione PTFE N°41	Ball seat with gasket PTFE N°41	€ 23,00	4
15c	P0065SD000120PZ	UHMW HDPE	Sede sfera	Ball seat	€ 9,50	4
15c	P0065SD005094AL	ALUMINUM	Sede sfera	Ball seat	€ 16,00	4
15c	P0065SD005094A2	AISI	Sede sfera	Ball seat	€ 21,00	4
16	P0065CO004164PPN	PP +VTR	Collare	Collar	€ 4,00	2
17	P0065PD004165PPN	PP +VTR	Piede	Foot	€ 4,00	2
19+19b+21+21a+21b	KITVITIP0100A	AISI	Viti, dadi e rondelle per alluminio	Screws, nuts and washers for aluminum	€ 10,00	1
19+19b+21+21a+21b	KITVITIP0100P	AISI	Viti, dadi e rondelle per plastica	Screws, nuts and washers for plastic	€ 22,00	1
19+19b+21+21a+21b	KITVITIP0100S	AISI	Viti, dadi e rondelle per aisi	Screws, nuts and washers for aisi	€ 20,00	1
23	VITEA18C04023A2	AISI	Viti griglia silenziatore	Screw silencer grid	€ 1,20	4
24	VITEA18C04010A2	AISI	Vite tappo distributore	Screw cover pneumatic exchanger	€ 1,20	1
31	GUARNORC004055NR	NBR	O-ring silencer	O-ring silencer	€ 1,20	1
32	GUARNORC04143NR	NBR	O-ring superiore	O-ring upper	€ 1,20	4
32	GUARNORC04143VT	FPM	O-ring superiore	O-ring upper	€ 4,20	4
32	GUARNORC04143DT	EPDM	O-ring superiore	O-ring upper	€ 4,20	4
32	P0065GN000236TF	PTFE	Guarnizione superiore	Gasket upper	€ 6,00	4
33	GUARNORC04100NR	NBR	O-ring inferiore	O-ring lower	€ 1,20	4
33	GUARNORC04100VT	FPM	O-ring inferiore	O-ring lower	€ 4,20	4

PHOENIX P65

33	P0050GN004988TF	PTFE	Guarnizione inferiore	Gasket lower	€ 5,50	4
33	GUARNORC04100DT	EPDM	O-ring inferiore	O-ring lower	€ 4,20	4
41	GUARNORC04081NR	NBR	O-ring interno sede	Seat internal o-ring	€ 1,20	4
41	GUARNORC04081VT	FPM	O-ring interno sede	Seat internal o-ring	€ 3,50	4
41	P0050GN004989TF	PTFE	Guarnizione interna sede	Seat internal gasket	€ 5,00	4
41	GUARNORC04081DT	EPDM	O-ring interno sede	Seat internal o-ring	€ 3,50	4
43	SEEGEFOC04717AC	STEEL	Seeger distributore	Seeger pneumatic exchanger	€ 4,50	1
44	SEEGEFOC05020AC	STEEL	Seeger centrale	Seeger central block	€ 4,50	1
45	P0065TP004703PP	PP+VTR	Tappo distributore	Cover pneumatic exchanger	€ 3,50	1
*46	P0100AN004736A2	AISI	Anello di rinforzo	Reinforcing ring	€ 10,50	2
47	P0050DS005375PM	PP	Distanziale corsa	Stroke spacer	€ 4,00	2

*	<b>ACCESSORIO/ACCESSORY</b>
---	-----------------------------



**PHOENIX P90**

Fluimac s.r.l.  
Via Brescia, 1  
21049 - Tradate (VA)  
Tel. +39-0331-866688  
Fax +39-0331-864870  
Web: www.fluimac.com  
Mail: info@fluimac.com

**LISTINO RICAMBI P90**

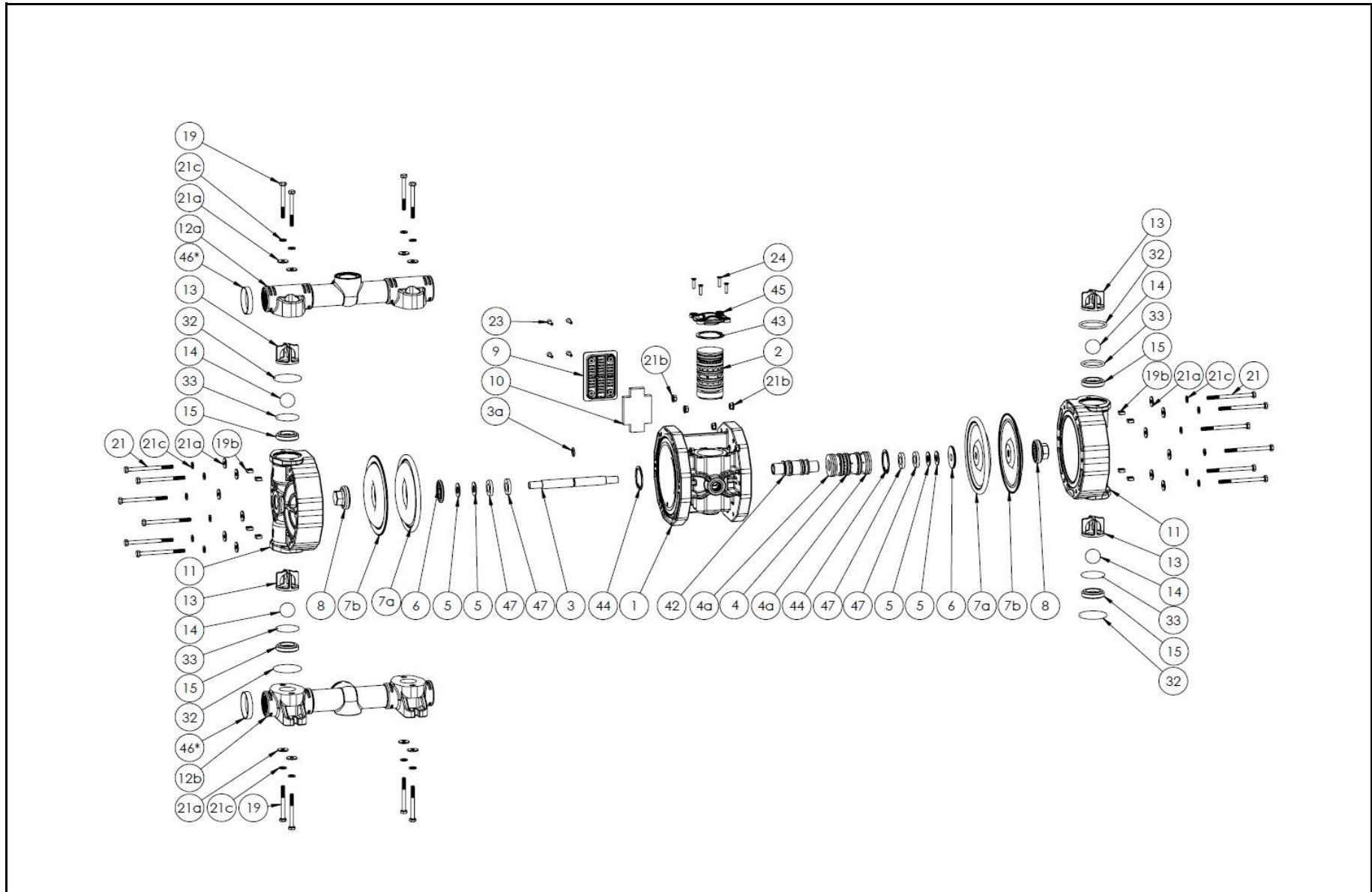
POSITION	CODE	MATERIAL	DESCRIZIONE	DESCRIPTION	PRICE UNIT Euro	Q. for PUMP
1	P0120CCR00312PPN	PP+VTR	Centrale	Central block	€ 143,00	1
1	P0120CCR00312PC	PP+CF	Centrale	Central block	€ 198,50	1
2	E-060	POM-c	Distributore	Pneumatic Exchanger	€ 88,00	1
3	P0120AL000320A2	AISI	Albero	Shaft	€ 22,00	1
3a	GUARNORC02050NR	NBR	O - ring	O - ring	€ 2,00	1
4+4a+42	C-400	POM-c	Comando	Command	€ 102,00	1
5	MOLLA70C25122AC	STEEL	Molla a tazza	Belleville washer	€ 4,00	4
6	P0050PT004252AL	ALUMINUM	Piattello	Air side cap	€ 10,00	2
7a	P0065ME004157HT	HYTREL	Membrana lato aria	Air diaphragm	€ 26,00	2
7a	P0065ME004157SA	SANTOPRENE	Membrana lato aria	Air diaphragm	€ 26,00	2
7a	P0065ME004709DT	EPDM	Membrana lato aria	Air diaphragm	€ 63,00	2
7a	P0065ME004709NR	NBR	Membrana lato aria	Air diaphragm	€ 63,00	2
7b	P0065ME004261TF	PTFE	Membrana lato fluido	Fluid diaphragm	€ 55,00	2
8	P0050CA104163PPG	PP+VTR	Cappello lato fluido	Fluid side cap	€ 17,00	2
8	P0050CA104163FC	PVDF+CF	Cappello lato fluido	Fluid side cap	€ 29,00	2
8	P0050CA104163PC	PP+CF	Cappello lato fluido	Fluid side cap	€ 19,00	2
9	P0400GR000066PPN	PP	Griglia silenziatore	Silencer grid	€ 4,20	1
10	P0400SL000202FL	FELT	Silenziatore	Silencer	€ 7,50	1
11	P0120CP000310PPG	PP+VTR	Corpo pompa	Pump casing	€ 31,50	2
11	P0120CP000310FC	PVDF+CF	Corpo pompa	Pump casing	€ 287,00	2
11	P0120CP000310PC	PP+CF	Corpo pompa	Pump casing	€ 94,50	2
12a	P0090CLR00343PPG	PP+VTR	Collettore superiore	Upper manifold	€ 38,00	1
12a	P0090CLR00343FC	PVDF+CF	Collettore superiore	Upper manifold	€ 186,00	1
12a	P0090CLR00343PC	PP+CF	Collettore superiore	Upper manifold	€ 84,00	1
12b	P0090CLR00344PPG	PP+VTR	Collettore inferiore	Lower manifold	€ 40,00	1
12b	P0090CLR00344FC	PVDF+CF	Collettore inferiore	Lower manifold	€ 185,00	1
12b	P0090CLR00344PC	PP+CF	Collettore inferiore	Lower manifold	€ 88,00	1

PHOENIX 90

13	P0120GA000318PPG	PP+VTR	Gabbia	Ball cage guide	€ 6,00	4
13	P0120GA000318EC	ECTFE	Gabbia	Ball cage guide	€ 8,50	4
14	SFERAINC00001TF	PTFE	Sfera	Ball	€ 16,00	4
14	SFERAINC00001A2	AISI	Sfera	Ball	€ 11,00	4
14	SFERAINC00001DT	EPDM	Sfera	Ball	€ 13,00	4
15	P0120SD000319PP	PP	Sede sfera per plastica	Ball seat for plastic	€ 10,00	4
15	P0120SD000319FV	PVDF	Sede sfera per plastica	Ball seat for plastic	€ 22,00	4
15	P0120SD000319PZ	Pz	Sede sfera per plastica	Ball seat for plastic	€ 10,00	
15	P0120SD000319A2	AISI	Sede sfera per plastica	Ball seat for plastic	€ 23,00	4
19+19b+21+21a+ 21b+21c	KITVITIP0120P	AISI	Viti, dadi e rondelle per plastica	Screws, nuts and washers for plastic	€ 22,00	1
23	VITEA18C04018A2	AISI	Viti griglia silenziatore	Silencer grid screw	€ 1,20	4
24	VITEA18C04018A2	AISI	Vite tappo distributore	Cover pneumatic exchanger screw	€ 1,20	4
32	GUARNORC04162NR	NBR	O-ring superiore	Upper o-ring	€ 2,00	4
32	GUARNORC04162VT	FPM	O-ring superiore	Upper o-ring	€ 5,30	4
32	GUARNORC04162DT	EPDM	O-ring superiore	Upper o-ring	€ 5,00	4
32	GUARNORC00144TF	PTFE	O-ring superiore	Upper o-ring	€ 8,00	4
33	GUARNORC04131NR	NBR	O-ring inferiore	Lower o-ring	€ 2,20	4
33	GUARNORC04131VT	FPM	O-ring inferiore	Lower o-ring	€ 4,20	4
33	GUARNORC04131TF	PTFE	O-ring inferiore	Lower o-ring	€ 7,00	4
33	GUARNORC04131DT	EPDM	O-ring inferiore	Lower o-ring	€ 4,20	4
43	SEEGEFOC04517AC	STEEL	Seeger distributore	Pneumatic exchanger seeger	€ 4,50	1
44	SEEGEFOC04017AC	STEEL	Seeger comando	Command seeger	€ 4,50	2
45	P0060TP000283PPN	PP+VTR	Tappo distributore	Pneumatic exchanger cover	€ 8,00	1
*46	P0090AN000428A2	AISI	Anello di rinforzo	Reinforcing ring	€ 17,00	2
47	P0050DS005375PP	POM-c	Distanziale corsa	Stroke Spacer	€ 4,00	4

*	ACCESSORIO/ACCESSORY
---	----------------------

PHOENIX 90



**PHOENIX P100**

Fluimac s.r.l.  
Via Brescia, 1  
21049 - Tradate (VA)  
Tel. +39-0331-866688  
Fax +39-0331-864870  
Web: www.fluimac.com  
Mail: info@fluimac.com

**LISTINO RICAMBI P100**

POSITION	CODE	MATERIAL	DESCRIZIONE	DESCRIPTION	PRICE UNIT Euro	Q. for PUMP
1	P0065CCR04172PPN	PP+VTR	Centrale	Central block	€ 121,00	1
1	P0065CCR04172PC	PP+CF	Centrale	Central block	€ 168,00	1
1	P0065CCR04172PPB	PP+VTR	Centrale per FOOD 100	Central block for FOOD 100	€ 110,00	1
1a	GUARNORC03075NR	NBR	O - ring	O - ring	€ 1,00	1
2	E-065	POM-c	Distributore	Pneumatic Exchanger	€ 88,00	1
3	P0065AL004249A2	AISI	Albero	Shaft	€ 21,00	1
3a	GUARNORC02050NR	NBR	O - ring	O - ring	€ 2,00	1
4+42	C-065	POM-c	Comando	Command	€ 79,00	1
5	MOLLA70C25122AC	STEEL	Molla a tazza	Belleville washer	€ 4,00	2
6	P0050PT004252AL	ALUMINUM	Piattello	Air side cap	€ 10,00	2
7a	P0065ME004157HT	HYTREL	Membrana lato aria	Air diaphragm	€ 25,00	2
7a	P0065ME004157SA	SANTOPRENE	Membrana lato aria	Air diaphragm	€ 25,00	2
7a	P0065ME004709DT	EPDM	Membrana lato aria	Air diaphragm	€ 81,00	2
7a	P0065ME004709NR	NBR	Membrana lato aria	Air diaphragm	€ 81,00	2
7b	P0065ME004261TF	PTFE	Membrana lato fluido	Fluid diaphragm	€ 55,00	2
8	P0050CA104163PPG	PP+VTR	Cappellotto lato fluido	Fluid side cap	€ 17,00	2
8	P0050CA104163FC	PVDF+CF	Cappellotto lato fluido	Fluid side cap	€ 29,00	2
8	P0050CA104163PC	PP+CF	Cappellotto lato fluido	Fluid side cap	€ 21,00	2
8	P0050CA004938AL	ALUMINUM	Cappellotto lato fluido	Fluid side cap	€ 19,00	2
8	P0050CAR04441A4	AISI	Cappellotto lato fluido	Fluid side cap	€ 43,00	2
9	P0065GR004170PPN	PP+VTR	Griglia silenziatore	silencer grid	€ 8,00	1
10a	P0065SL004266FL	FELT	Silenziatore esterno	External silencer	€ 4,00	1
10b	P0065SL004638FL	FELT	Silenziatore interno	Internal silencer	€ 4,00	1
11	P0065CPR04161PPG	PP+VTR	Corpo pompa	Pump casing	€ 44,00	2
11	P0065CPR04161FC	PVDF+CF	Corpo pompa	Pump casing	€ 331,00	2
11	P0065CPR04161PC	PP+CF	Corpo pompa	Pump casing	€ 110,00	2
11	P0065CPR04192AL	ALUMINUM	Corpo pompa	Pump casing	€ 37,00	2

PHOENIX 100

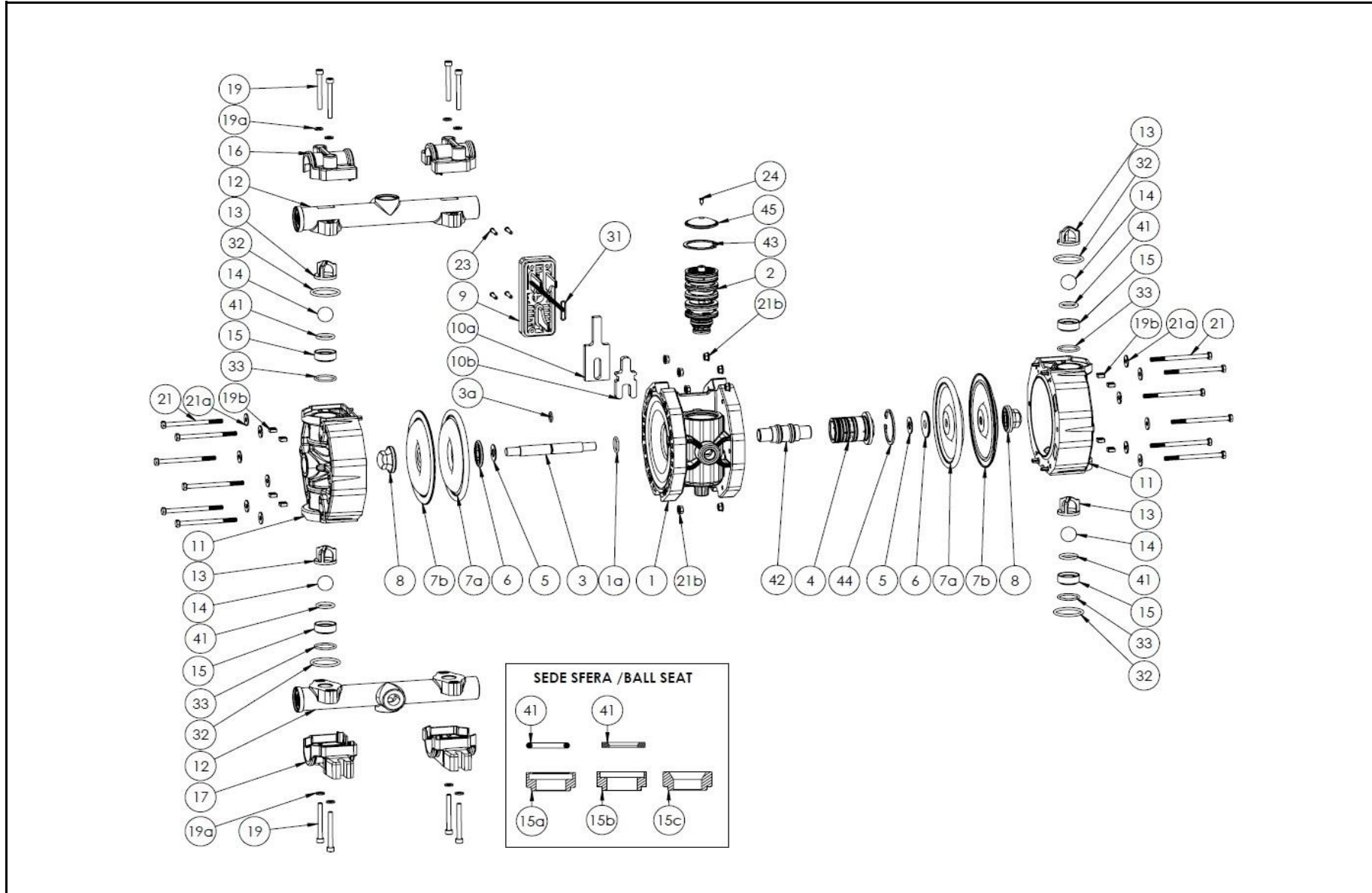
11	P0065CPR04295A4	AISI 316	Corpo pompa	Pump casing	€ 331,00	2
11	P0065CPR04295A4	AISI ELECTROPOLISHED	Corpo pompa	Pump casing	€ 364,00	2
12	P0100CLR04166PPG	PP+VTR	Collettore superiore/inferiore	Upper/lower manifold	€ 39,00	2
12	P0100CLR04166FC	PVDF+CF	Collettore superiore/inferiore	Upper/lower manifold	€ 136,50	2
12	P0100CLR04166PC	PP+CF	Collettore superiore/inferiore	Upper/lower manifold	€ 81,00	2
12	P0100CLR04193AL	ALUMINUM	Collettore superiore/inferiore	Upper/lower manifold	€ 32,00	2
12a	P0100CLR04298A4	AISI 316	Collettore superiore	Upper manifold	€ 238,00	1
12b	P0100CLR04304A4	AISI 316	Collettore inferiore	Lower manifold	€ 307,00	1
12a	F0100CLR04297A4	AISI ELECTROPOLISHED	Collettore superiore CLAMP	Upper manifold CLAMP	€ 261,00	1
12b	F0100CLR04303A4	AISI ELECTROPOLISHED	Collettore inferiore CLAMP	Lower manifold CLAMP	€ 331,00	1
13	P0050GA004807PP	PP+VTR	Gabbia	Ball cage guide	€ 4,20	4
13	P0050GA004807EC	ECTFE	Gabbia	Ball cage guide	€ 8,00	4
14	SFERAMMC22022TF	PTFE	Sfera	Ball	€ 14,00	4
14	SFERAMMC22022A2	AISI	Sfera	Ball	€ 10,00	4
14	SFERAMMC00021DT	EPDM	Sfera	Ball	€ 11,00	4
14	SFERAMMC00021NR	NBR	Sfera	Ball	€ 10,00	4
15a	P0065SD005095PP	PP	Sede sfera con o-ring N°41	Ball seat with o-ring N°41	€ 9,50	4
15a	P0065SD005095FV	PVDF	Sede sfera con o-ring N°41	Ball seat with o-ring N°41	€ 23,00	4
15b	P0065SD005096PP	PP	Sede sfera con guarnizione PTFE N°41	Ball seat with gasket PTFE N°41	€ 9,50	4
15b	P0065SD005096FV	PVDF	Sede sfera con guarnizione PTFE N°41	Ball seat with gasket PTFE N°41	€ 23,00	4
15c	P0065SD000120PZ	UHMW HDPE	Sede sfera	Ball seat	€ 9,50	4
15c	P0065SD005094AL	ALUMINUM	Sede sfera	Ball seat	€ 16,00	4
15c	P0065SD005094A2	AISI	Sede sfera	Ball seat	€ 21,00	4
16	P0065CO004164PPN	PP +VTR	Collare	Collar	€ 4,00	2
17	P0065PD004165PPN	PP +VTR	Piede	Foot	€ 6,00	2
19+19b+21+21a+21b	KITVITIP0100A	AISI	Viti, dadi e rondelle per alluminio	Screws, nuts and washers for aluminum	€ 10,00	1
19+19b+21+21a+21b	KITVITIP0100P	AISI	Viti, dadi e rondelle per plastica	Screws, nuts and washers for plastic	€ 22,00	1
19+19b+21+21a+21b	KITVITIP0100S	AISI	Viti, dadi e rondelle per aisi	Screws, nuts and washers for aisi	€ 20,00	1
23	VITEA18C04023A2	AISI	Viti griglia silenziatore	Screw silencer grid	€ 1,20	4
24	VITEA18C04010A2	AISI	Vite tappo distributore	Screw cover pneumatic exchanger	€ 1,20	1
31	GUARNORC004055NR	NBR	O-ring silenziatore	O-ring silencer	€ 1,20	1

PHOENIX 100

32	GUARNORC04143NR	NBR	O-ring superiore	O-ring upper	€ 1,20	4
32	GUARNORC04143VT	FPM	O-ring superiore	O-ring upper	€ 4,20	4
32	GUARNORC04143DT	EPDM	O-ring superiore	O-ring upper	€ 4,20	4
32	P0065GN00236TF	PTFE	Guarnizione superiore	Gasket upper	€ 6,30	4
33	GUARNORC04100NR	NBR	O-ring inferiore	O-ring lower	€ 1,20	4
33	GUARNORC04100VT	FPM	O-ring inferiore	O-ring lower	€ 4,20	4
33	P0050GN004988TF	PTFE	Guarnizione inferiore	Gasket lower	€ 6,00	4
33	GUARNORC04100DT	EPDM	O-ring inferiore	O-ring lower	€ 4,20	4
41	GUARNORC04081NR	NBR	O-ring interno sede	Seat internal o-ring	€ 1,20	4
41	GUARNORC04081VT	FPM	O-ring interno sede	Seat internal o-ring	€ 3,50	4
41	P0050GN004989TF	PTFE	Guarnizione interna sede	Seat internal gasket	€ 5,30	4
41	GUARNORC04081DT	EPDM	O-ring interno sede	Seat internal o-ring	€ 3,50	4
43	SEEGEFOC04717AC	STEEL	Seeger distributore	Seeger pneumatic exchanger	€ 4,50	1
44	SEEGEFOC05020AC	STEEL	Seeger centrale	Seeger central block	€ 4,50	1
45	P0065TP004703PP	PP+VTR	Tappo distributore	Cover pneumatic exchanger	€ 3,50	1
*46	P0100AN004736A2	AISI	Anello di rinforzo	Reinforcing ring	€ 10,50	2
47	P0050DS005375PM	PP	Distanziale corsa	Stroke spacer	€ 4,00	2

*	<b>ACCESSORIO/ACCESSORY</b>
---	-----------------------------

PHOENIX 100



**PHOENIX P101**

Fluimac s.r.l.  
Via Brescia, 1  
21049 - Tradate (VA)  
Tel. +39-0331-866688  
Fax +39-0331-864870  
Web: www.fluimac.com  
Mail: info@fluimac.com

**LISTINO RICAMBI P101**

POSITION	CODE	MATERIAL	DESCRIZIONE	DESCRIPTION	PRICE UNIT Euro	Q. for PUMP
1	P0065CCR04172PPN	PP+VTR	Centrale	Central block	€ 121,00	1
1	P0065CCR04172PC	PP+CF	Centrale	Central block	€ 168,00	1
1a	GUARNORC03075NR	NBR	O - ring	O - ring	€ 1,00	1
2	E-065	POM-c	Distributore	Pneumatic Exchanger	€ 88,00	1
3	P0065AL004249A2	AISI	Albero	Shaft	€ 21,00	1
3a	GUARNORC02050NR	NBR	O - ring	O - ring	€ 2,00	1
4+42	C-065	POM-c	Comando	Command	€ 79,00	1
5	MOLLA70C25122AC	STEEL	Molla a tazza	Belleville washer	€ 4,00	2
6	P0050PT004252AL	ALUMINUM	Piattello	Air side cap	€ 10,00	2
7a	P0065ME004157HT	HYTREL	Membrana lato aria	Air diaphragm	€ 25,00	2
7a	P0065ME004157SA	SANTOPRENE	Membrana lato aria	Air diaphragm	€ 25,00	2
7a	P0065ME004709DT	EPDM	Membrana lato aria	Air diaphragm	€ 81,00	2
7a	P0065ME004709NR	NBR	Membrana lato aria	Air diaphragm	€ 81,00	2
7b	P0065ME004261TF	PTFE	Membrana lato fluido	Fluid diaphragm	€ 55,00	2
8	P0050CA104163PPG	PP+VTR	Cappello lato fluido	Fluid side cap	€ 17,00	2
8	P0050CA104163EC	ECTFE	Cappello lato fluido	Fluid side cap	€ 29,00	2
8	P0050CA104163PC	PP+CF	Cappello lato fluido	Fluid side cap	€ 21,00	2
8	P0050CA004938AL	ALUMINUM	Cappello lato fluido	Fluid side cap	€ 19,00	2
8	P0050CAR04441A4	AISI	Cappello lato fluido	Fluid side cap	€ 43,00	2
9	P0065GR004170PPN	PP+VTR	Griglia silenziatore	Silencer grid	€ 8,00	1
10a	P0065SL004266FL	FELT	Silenziatore esterno	External silencer	€ 4,00	1
10b	P0065SL004638FL	FELT	Silenziatore interno	Internal silencer	€ 4,00	1
11	P0065CPR04161PPG	PP+VTR	Corpo pompa	Pump casing	€ 44,00	2
11	P0065CPR04161FC	PVDF+CF	Corpo pompa	Pump casing	€ 331,00	2
11	P0065CPR04161PC	PP+CF	Corpo pompa	Pump casing	€ 110,00	2
12	P0101CLR04666PPG	PP+VTR	Collettore superiore/inferiore	Upper/lower manifold	€ 41,00	2
12	P0101CLR04666FC	PVDF+CF	Collettore superiore/inferiore	Upper/lower manifold	€ 147,00	2

PHOENIX 101

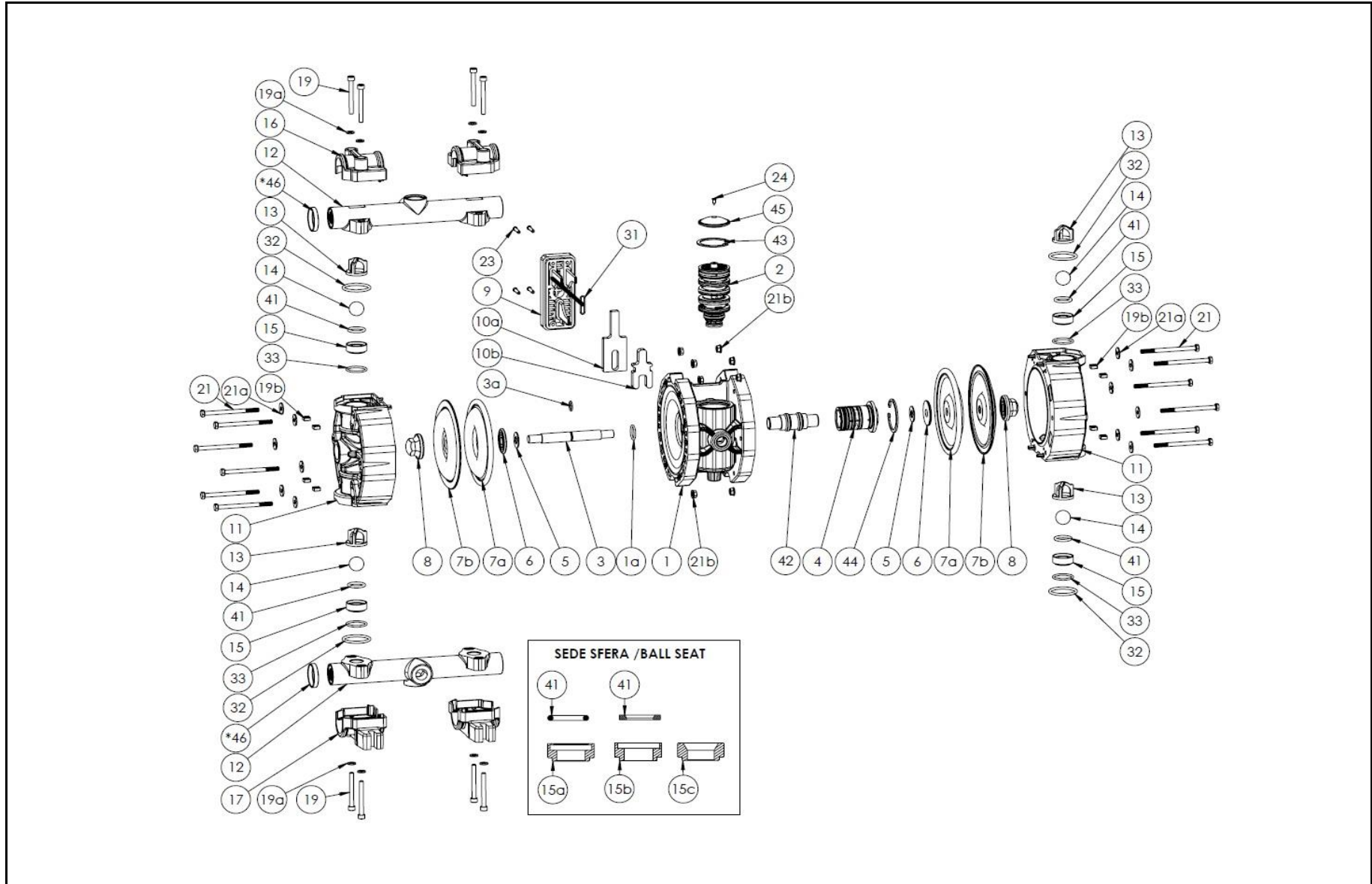
12	P0101CLR04666PC	PP+CF	Collettore superiore/inferiore	Upper/lower manifold	€ 94,50	2
13	P0050GA004807PP	PP+VTR	Gabbia	Ball cage guide	€ 4,20	4
13	P0050GA004807EC	ECTFE	Gabbia	Ball cage guide	€ 8,00	4
14	SFERAMMC22022TF	PTFE	Sfera	Ball	€ 14,00	4
14	SFERAMMC22022A2	AISI	Sfera	Ball	€ 10,00	4
14	SFERAMMC00021DT	EPDM	Sfera	Ball	€ 11,00	4
14	SFERAMMC00021NR	NBR	Sfera	Ball	€ 10,00	4
15a	P0065SD005095PP	PP	Sede sfera con o-ring N°41	Ball seat with o-ring N°41	€ 9,50	4
15a	P0065SD005095FV	PVDF	Sede sfera con o-ring N°41	Ball seat with o-ring N°41	€ 23,00	4
15b	P0065SD005096PP	PP	Sede sfera con guarnizione PTFE N°41	Ball seat with gasket PTFE N°41	€ 9,50	4
15b	P0065SD005096FV	PVDF	Sede sfera con guarnizione PTFE N°41	Ball seat with gasket PTFE N°41	€ 23,00	4
15c	P0065SD000120PZ	UHMW HDPE	Sede sfera	Ball seat	€ 9,50	4
15c	P0065SD005094AL	ALUMINUM	Sede sfera	Ball seat	€ 16,00	4
15c	P0065SD005094A2	AISI	Sede sfera	Ball seat	€ 21,00	4
16	P0065CO004164PPN	PP +VTR	Collare	Collar	€ 4,00	2
17	P0065PD004165PPN	PP +VTR	Piede	Foot	€ 6,00	2
19+19b+21+21a+21b	KITVITIP0100P	AISI	Viti, dadi e rondelle per plastica	Screws, nuts and washers for plastic	€ 22,00	1
23	VITEA18C04023A2	AISI	Viti griglia silenziatore	Screw silencer grid	€ 1,20	4
24	VITEA18C04010A2	AISI	Vite tappo distributore	Screw pneumatic exchanger	€ 1,20	1
31	GUARNORC004055NR	NBR	O-ring silenziatore	O-ring silencer	€ 1,20	1
32	GUARNORC04143NR	NBR	O-ring superiore	O-ring upper	€ 1,20	4
32	GUARNORC04143VT	FPM	O-ring superiore	O-ring upper	€ 4,20	4
32	GUARNORC04143DT	EPDM	O-ring superiore	O-ring upper	€ 4,20	4
32	P0065GN000236TF	PTFE	Guarnizione superiore	Gasket upper	€ 6,30	4
33	GUARNORC04100NR	NBR	O-ring inferiore	O-ring lower	€ 1,20	4
33	GUARNORC04100VT	FPM	O-ring inferiore	O-ring lower	€ 4,20	4
33	P0050GN004988TF	PTFE	Guarnizione inferiore	Gasket lower	€ 6,00	4
33	GUARNORC04100DT	EPDM	O-ring inferiore	O-ring lower	€ 4,20	4
41	GUARNORC04081NR	NBR	O-ring interno sede	Seat internal o-ring	€ 1,20	4
41	GUARNORC04081VT	FPM	O-ring interno sede	Seat internal o-ring	€ 3,50	4
41	P0050GN004989TF	PTFE	Guarnizione interna sede	Seat internal gasket	€ 5,30	4
41	GUARNORC04081DT	EPDM	O-ring interno sede	Seat internal o-ring	€ 3,50	4
43	SEEGEFOC04717AC	STEEL	Seeger distributore	Seeger pneumatic exchanger	€ 4,50	1
44	SEEGEFOC05020AC	STEEL	Seeger centrale	Seeger central block	€ 4,50	1

PHOENIX 101

45	P0065TP004703PP	PP+VTR	Tappo distributore	Cover pneumatic exchanger	€ 3,50	1
*46	P0101AN000104A2	AISI	Anello di rinforzo	Reinforcing ring	€ 13,00	2
47	P0050DS005375PM	PP	Distanziale corsa	Stroke spacer	€ 4,00	2

*	ACCESSORIO/ACCESSORY
---	----------------------

PHOENIX 101



**PHOENIX P120**

Fluimac s.r.l.  
Via Brescia, 1  
21049 - Tradate (VA)  
Tel. +39-0331-866688  
Fax +39-0331-864870  
Web: www.fluimac.com  
Mail: info@fluimac.com

**LISTINO RICAMBI P120**

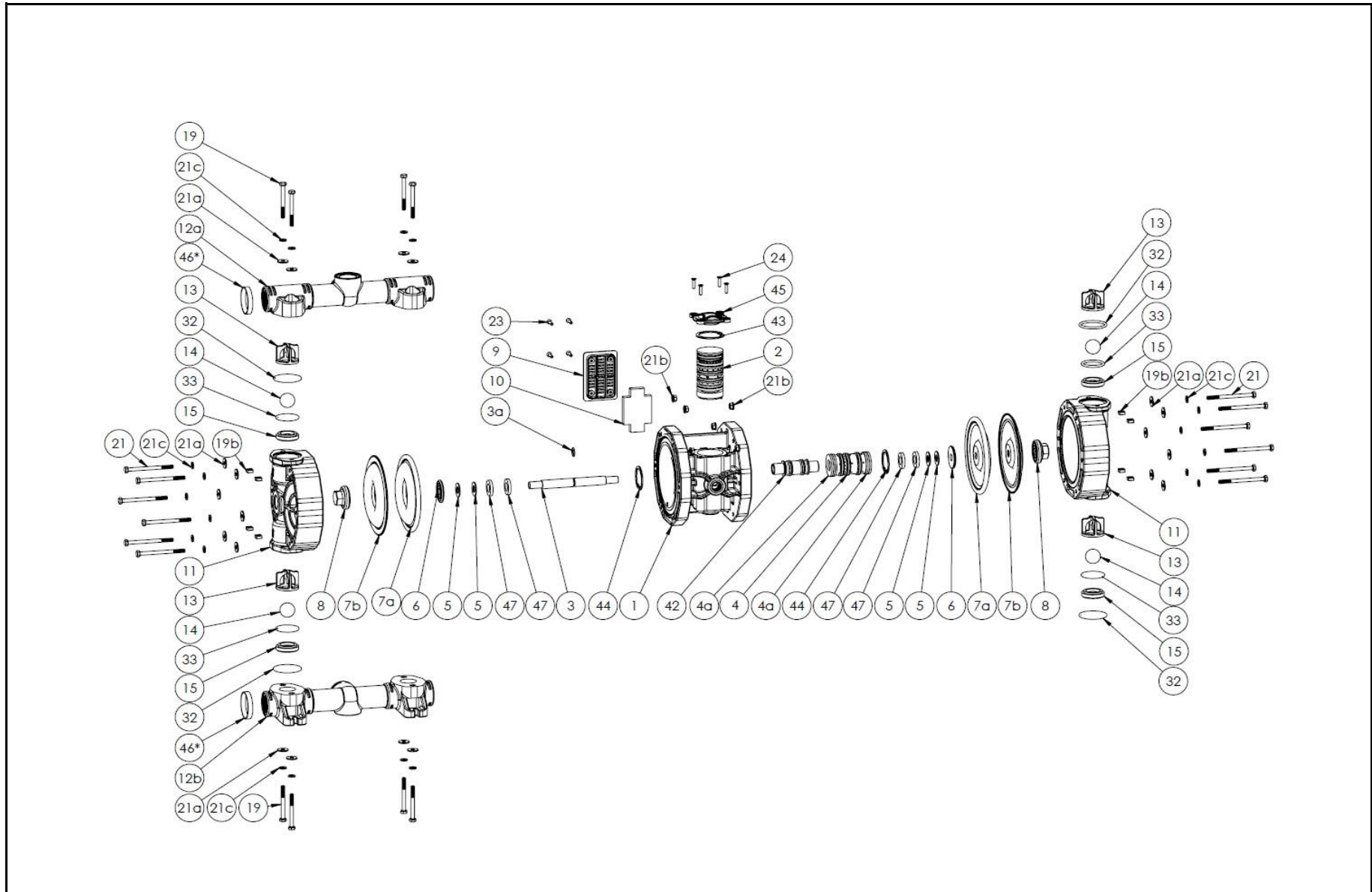
POSITION	CODE	MATERIAL	DESCRIZIONE	DESCRIPTION	PRICE UNIT Euro	Q. for PUMP
1	P0120CCR00312PPN	PP+VTR	Centrale	Central block	€ 143,00	1
1	P0120CCR00312PC	PP+CF	Centrale	Central block	€ 198,00	1
2	E-060	POM-c	Distributore	Pneumatic Exchanger	€ 88,00	1
3	P0120AL000320A2	AISI	Albero	Shaft	€ 22,00	1
3a	GUARNORC02050NR	NBR	O - ring	O - ring	€ 2,00	1
4+4a+42	C-400	POM-c	Comando	Command	€ 101,00	1
5	MOLLA70C25122AC	STEEL	Molla a tazza	Belleville washer	€ 4,00	4
6	P0050PT004252AL	ALUMINUM	Piattello	Air side cap	€ 10,00	2
7a	P0065ME004157HT	HYTREL	Membrana lato aria	Air diaphragm	€ 25,00	2
7a	P0065ME004157SA	SANTOPRENE	Membrana lato aria	Air diaphragm	€ 25,00	2
7a	P0065ME004709DT	EPDM	Membrana lato aria	Air diaphragm	€ 63,00	2
7a	P0065ME004709NR	NBR	Membrana lato aria	Air diaphragm	€ 63,00	2
7b	P0065ME004261TF	PTFE	Membrana lato fluido	Fluid diaphragm	€ 55,00	2
8	P0050CA104163PPG	PP+VTR	Cappello lato fluido	Fluid side cap	€ 17,00	2
8	P0050CA104163FC	PVDF+CF	Cappello lato fluido	Fluid side cap	€ 29,00	2
8	P0050CA104163PC	PP+CF	Cappello lato fluido	Fluid side cap	€ 21,00	2
9	P0400GR000066PPN	PP	Griglia silenziatore	Silencer grid	€ 4,20	1
10	P0400SL000202FL	FELT	Silenziatore	Silencer	€ 7,50	1
11	P0120CP000310PPG	PP+VTR	Corpo pompa	Pump casing	€ 45,00	2
11	P0120CP000310FC	PVDF+CF	Corpo pompa	Pump casing	€ 287,00	2
11	P0120CP000310PC	PP+CF	Corpo pompa	Pump casing	€ 95,00	2
12a	P0120CLR00314PPG	PP+VTR	Collettore superiore	Upper manifold	€ 38,00	1
12a	P0120CLR00314FC	PVDF+CF	Collettore superiore	Upper manifold	€ 168,00	1
12a	P0120CLR00314PC	PP+CF	Collettore superiore	Upper manifold	€ 84,00	1
12b	P0120CLR00316PPG	PP+VTR	Collettore inferiore	Lower manifold	€ 40,00	1
12b	P0120CLR00316FC	PVDF+CF	Collettore inferiore	Lower manifold	€ 185,00	1
12b	P0120CLR00316PC	PP+CF	Collettore inferiore	Lower manifold	€ 88,00	1

PHOENIX 120

13	P0120GA000318PPG	PP+VTR	Gabbia	Ball cage guide	€ 6,00	4
13	P0120GA000318EC	ECTFE	Gabbia	Ball cage guide	€ 8,50	4
14	SFERAINC00001TF	PTFE	Sfera	Ball	€ 16,00	4
14	SFERAINC00001A2	AISI	Sfera	Ball	€ 11,00	4
14	SFERAINC00001DT	EPDM	Sfera	Ball	€ 13,00	4
14	SFERAINC00001NR	NBR	Sfera	Ball	€ 13,00	4
15	P0120SD000319PP	PP	Sede sfera per plastica	Ball seat for plastic	€ 10,00	4
15	P0120SD000319FV	PVDF	Sede sfera per plastica	Ball seat for plastic	€ 22,00	4
15	P0120SD000319PZ	UHMW HDPE	Sede sfera per plastica	Ball seat for plastic	€ 10,00	
15	P0120SD000319A2	AISI	Sede sfera per plastica	Ball seat for plastic	€ 23,00	4
19+19b+21+21a+ 21b+21c	KITVITIP0120P	AISI	Viti, dadi e rondelle per plastica	Screws, nuts and washers for plastic	€ 22,00	1
23	VITEA18C04018A2	AISI	Viti griglia silenziatore	Silencer grid screw	€ 1,20	4
24	VITEA18C04018A2	AISI	Vite tappo distributore	Cover pneumatic exchanger screw	€ 1,20	4
32	GUARNORC04162NR	NBR	O-ring superiore	Upper o-ring	€ 2,00	4
32	GUARNORC04162VT	FPM	O-ring superiore	Upper o-ring	€ 5,30	4
32	GUARNORC04162DT	EPDM	O-ring superiore	Upper o-ring	€ 4,50	4
32	GUARNORC00144TF	PTFE	O-ring superiore	Upper o-ring	€ 8,00	4
33	GUARNORC04131NR	NBR	O-ring inferiore	Lower o-ring	€ 2,20	4
33	GUARNORC04131VT	FPM	O-ring inferiore	Lower o-ring	€ 4,20	4
33	GUARNORC04131TF	PTFE	O-ring inferiore	Lower o-ring	€ 7,00	4
33	GUARNORC04131DT	EPDM	O-ring inferiore	Lower o-ring	€ 4,20	4
43	SEEGEFOC04517AC	STEEL	Seeger distributore	Pneumatic exchanger seeger	€ 4,50	1
44	SEEGEFOC04017AC	STEEL	Seeger comando	Command seeger	€ 4,50	2
45	P0060TP000283PPN	PP+VTR	Tappo distributore	Pneumatic exchanger cover	€ 8,00	1
*46	P0120AN000426A2	AISI	Anello di rinforzo	Reinforcing ring	€ 18,00	2
47	P0050DS005375PM	POM-c	Distanziale corsa	Stroke Spacer	€ 4,00	4

*	<b>ACCESSORIO/ACCESSORY</b>
---	-----------------------------

PHOENIX 120



PHOENIX 120S

# PHOENIX P120S



Fluimac s.r.l.  
Via Brescia, 1  
21049 - Tradate (VA)  
Tel. +39-0331-866688  
Fax +39-0331-864870  
Web: www.fluimac.com  
Mail: info@fluimac.com

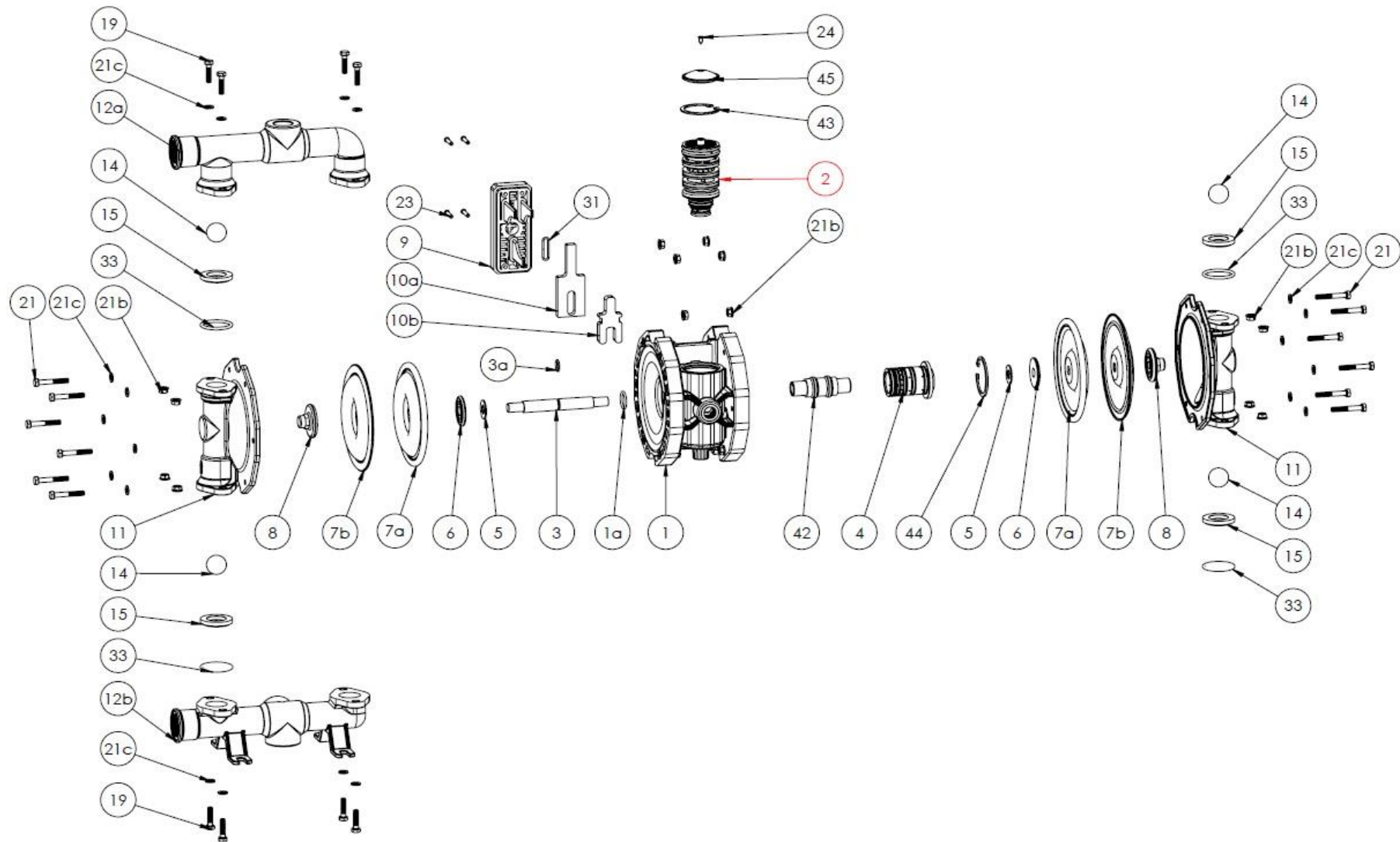
## LISTINO RICAMBI P120S

POSITION	CODE	MATERIAL	DESCRIZIONE	DESCRIPTION	PRICE UNIT Euro	Q. for PUMP
1	P0065CCR04172PPN	PP+VTR	Centrale	Central block	€ 121,00	1
1	P0065CCR04172PC	PP+CF	Centrale	Central block	€ 168,00	1
1	P0065CCR04172PPB	PP+VTR	Centrale per FOOD 120	Central block for FOOD 120	€ 110,00	1
1a	GUARNORC03075NR	NBR	O - ring	O - ring	€ 1,00	1
2	E-065	POM-c	Distributore	Pneumatic Exchanger	€ 88,00	1
3	P0065AL004249A2	AISI	Albero	Shaft	€ 21,00	1
3a	GUARNORC02050NR	NBR	O - ring	O - ring	€ 2,00	1
4+42	C-065	POM-c	Comando	Command	€ 79,00	1
5	MOLLA70C25122AC	STEEL	Molla a tazza	Belleville washer	€ 4,00	2
6	P0050PT004252AL	ALUMINUM	Piattello	Air side cap	€ 10,00	2
7a	P0065ME004157HT	HYTREL	Membrana lato aria	Air diaphragm	€ 25,00	2
7a	P0065ME004157SA	SANTOPRENE	Membrana lato aria	Air diaphragm	€ 25,00	2
7a	P0065ME004709DT	EPDM	Membrana lato aria	Air diaphragm	€ 81,00	2
7a	P0065ME004709NR	NBR	Membrana lato aria	Air diaphragm	€ 81,00	2
7b	P0065ME004261TF	PTFE	Membrana lato fluido	Fluid diaphragm	€ 55,00	2
8	P0050CAR04441A4	AISI	Cappello lato fluido	Fluid side cap	€ 43,00	2
9	P0065GR004170PPN	PP+VTR	Griglia silenziatore	silencer grid	€ 8,00	1
10a	P0065SL004266FL	FELT	Silenziatore esterno	External silencer	€ 4,00	1
10b	P0065SL004638FL	FELT	Silenziatore interno	Internal silencer	€ 4,00	1
11	P0120CPR00218A4	AISI ELECTROPOLISHED	Corpo pompa	Pump casing	€ 353,00	2
12a	P0120CLR00219A4	AISI ELECTROPOLISHED	Collettore superiore	Upper manifold	€ 320,00	1
12a	F0120CLR00221A4	AISI ELECTROPOLISHED	Collettore superiore CLAMP	Upper manifold CLAMP	€ 320,00	1
12b	P0120CLR00220A4	AISI ELECTROPOLISHED	Collettore inferiore	Lower manifold	€ 341,00	1
12b	F0120CLR00222A4	AISI ELECTROPOLISHED	Collettore inferiore CLAMP	Lower manifold CLAMP	€ 341,00	1

PHOENIX 120S

14	SFERAINC00001TF	PTFE	Sfera	Ball	€ 16,00	4
14	SFERAINC00001A2	AISI	Sfera	Ball	€ 11,00	4
15c	P0120SD000224A2	AISI	Sede sfera	Ball seat	€ 23,00	4
19+19b+21+21a+21b	KITVITIP0120S	AISI	Viti, dadi e rondelle per aisi	Screws, nuts and washers for aisi	€ 20,00	1
23	VITEA18C04023A2	AISI	Viti griglia silenziatore	Screw silencer grid	€ 1,20	4
24	VITEA18C04010A2	AISI	Vite tappo distributore	Screw cover pneumatic exchanger	€ 1,20	1
31	GUARNORC004055NR	NBR	O-ring silenziatore	O-ring silencer	€ 1,20	1
32	GUARNORC04137TF	PTFE	Guarnizione superiore	Gasket upper	€ 8,00	4
43	SEEGEFOC04717AC	STEEL	Seeger distributore	Seeger pneumatic exchanger	€ 4,50	1
44	SEEGEFOC05020AC	STEEL	Seeger centrale	Seeger central block	€ 4,50	1
45	P0065TP004703PP	PP+VTR	Tappo distributore	Cover pneumatic exchanger	€ 3,50	1
47	P0050DS005375PM	PP	Distanziale corsa	Stroke spacer	€ 3,20	2

PHOENIX 120S



**PHOENIX P160**

Fluimac s.r.l.  
Via Brescia,1  
21049 - Tradate (VA)  
Tel. +39-0331-866688  
Fax +39-0331-864870  
Web: www.fluimac.com  
Mail: info@fluimac.com

**LISTINO RICAMBI P160**

POSITION	CODE	MATERIAL	DESCRIZIONE	DESCRIPTION	PRICE UNIT Euro	Q. for PUMP
1	P0160CCR04221PPN	PP	Centrale	Central block	€ 161,00	1
1	P0160CCR04221PC	PC+CF	Centrale	Central block	€ 256,00	1
1	P0160CCR04221PPB	PP	Centrale per FOOD 160	Central block for FOOD 160	€ 161,00	1
1a	GUARNORC03075NR	NBR	O-ring centrale	Centrale block o-ring	€ 1,00	1
2	E-065	POM-c	Distributore	Pneumatic Exchanger	€ 88,00	1
3	P0160AL004401A2	AISI	Albero	Shaft	€ 22,50	1
3a	GUARNORC02050NR	NBR	O-ring albero	Shaft O-ring	€ 2,00	1
4+42	C-065	POM-c	Comando	Command	€ 79,00	1
5	MOLLA70C25122AC	STEEL	Molla a tazza	Belleville washer	€ 4,00	4
6	P0160PT004402AL	ALUMINUM	Piattello lato aria	Air side cap	€ 21,00	2
7a	P0160ME004248HY	HYTREL	Membrana lato aria	Air diaphragm	€ 35,00	2
7a	P0160ME004248SA	SANTOPRENE	Membrana lato aria	Air diaphragm	€ 35,00	2
7a	P0160ME004710DT	EPDM	Membrana lato aria	Air diaphragm	€ 108,00	2
7a	P0160ME004710NR	NBR	Membrana lato aria	Air diaphragm	€ 108,00	2
7b	P0160ME004317TF	PTFE	Membrana lato fluido	Fluid diaphragm	€ 108,00	2
8	P0160CA104294PPG	PP+VTR	Cappello lato fluido	Fluid side cap	€ 39,00	2
8	P0160CA104294FC	PVDF+CF	Cappello lato fluido	Fluid side cap	€ 64,00	2
8	P0160CA104294PC	PP+CF	Cappello lato fluido	Fluid side cap	€ 47,00	2
8	P0160CA004530AL	ALUMINUM	Cappello lato fluido	Fluid side cap	€ 43,00	2
8	P0160CAR04448A4	AISI	Cappello lato fluido	Fluid side cap	€ 77,00	2
9	P0065GR004170PPN	PP+VTR	Griglia silenziatore	Silencer grid	€ 8,00	1
10a	P0065SL004266FL	FELT	Silenziatore esterno	External silencer	€ 4,00	1
10b	P0160SL004637FL	FELT	Silenziatore interno	Internal silencer	€ 4,00	1
11	P0160CPR04240PPG	PP+VTR	Corpo pompa	Pump casing	€ 77,00	2
11	P0160CPR04240FC	PVDF+CF	Corpo pompa	Pump casing	€ 703,50	2
11	P0160CPR04240PC	PP+CF	Corpo pompa	Pump casing	€ 193,00	2
11	P0160CP004263AL	ALUMINUM	Corpo pompa	Pump casing	€ 62,00	2

PHOENIX 160

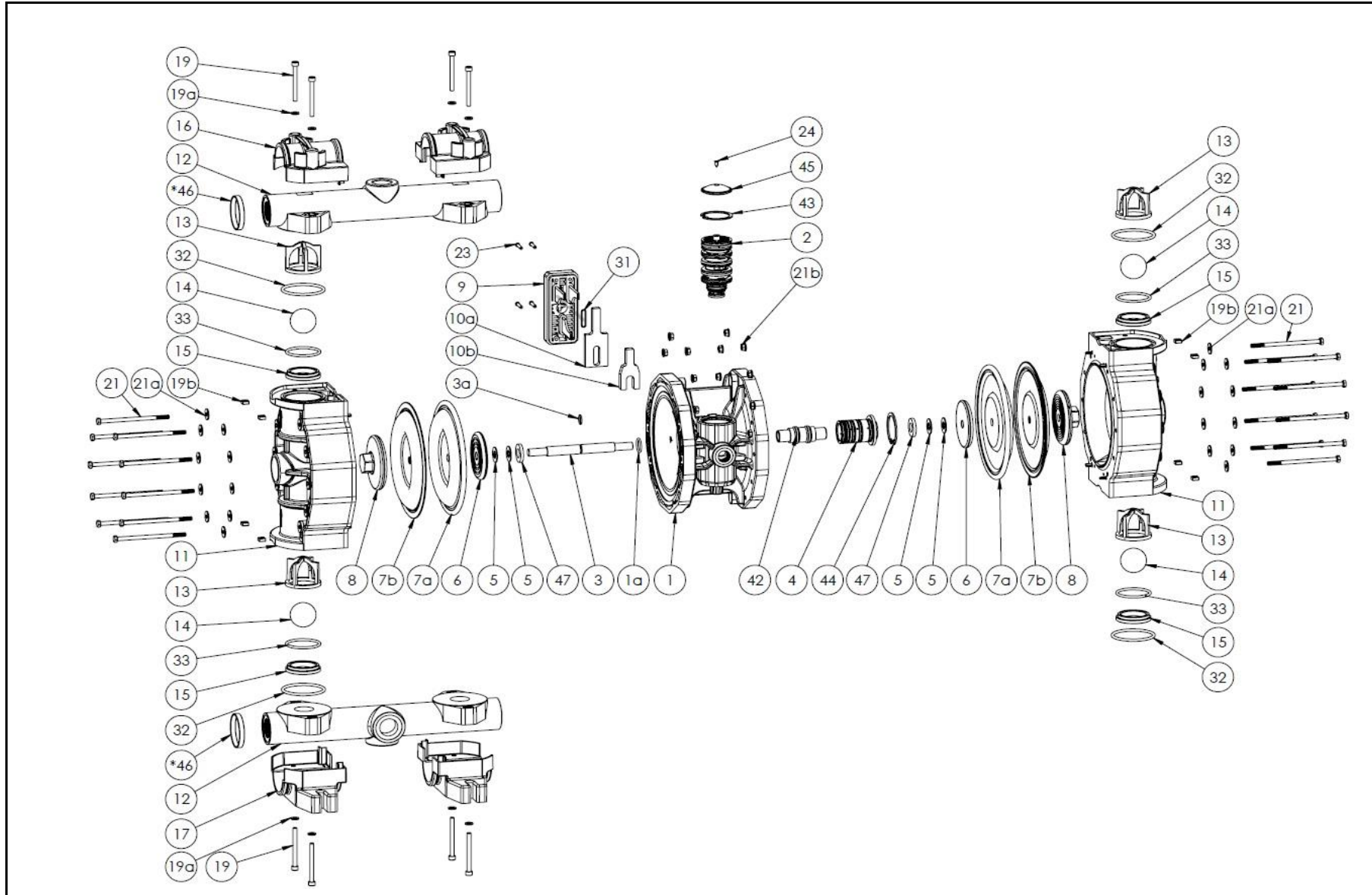
11	P0160CPR04296A4	AISI 316	Corpo pompa	Pump casing	€ 590,00	2
11	P0160CPR04296A4	AISI 316 ELECTROPOLISHED	Corpo pompa	Pump casing	€ 635,00	2
12	P0160CLR04222PPG	PP+VTR	Collettore superiore/inferiore	Upper/lower manifold	€ 70,00	2
12	P0160CLR04222FC	PVDF+CF	Collettore superiore/inferiore	Upper/lower manifold	€ 364,00	2
12	P0160CLR04222PC	PP+CF	Collettore superiore/inferiore	Upper/lower manifold	€ 109,00	2
12	P0160CLR04264AL	ALUMINUM	Collettore superiore/inferiore	Upper/lower manifold	€ 51,00	2
12a	P0160CLR04714A4	AISI 316	Collettore superiore	Upper manifold	€ 430,50	1
12b	P0160CLR04715A4	AISI 316	Collettore inferiore	Lower manifold	€ 556,50	1
12a	F0160CLR04299A4	AISI 316 ELECTROPOLISHED	Collettore superiore CLAMP	Upper manifold CLAMP	€ 598,50	1
12b	F0160CLR04305A4	AISI 316 ELECTROPOLISHED	Collettore inferiore CLAMP	Lower manifold CLAMP	€ 624,00	1
13	P0160GA004234EC	ECTFE	Gabbia	Ball cage guide	€ 9,50	4
14	SFERAMMC00040TF	PTFE	Sfera	Ball	€ 37,00	4
14	SFERAMMC00040A2	AISI	Sfera	Ball	€ 39,00	4
14	SFERAMMC00040DT	EPDM	Sfera	Ball	€ 18,00	4
14	SFERAMMC00040NR	NBR	Sfera	Ball	€ 18,50	4
15	P0160SD000011FV	PVDF	Sede sfera	Ball seat	€ 29,00	4
15	P0160SD004404PP	PP	Sede sfera	Ball seat	€ 14,00	4
15	P0160SD000010PZ	UHMW HDPE	Sede sfera	Ball seat	€ 14,00	4
15	P0160SD004404AL	ALUMINUM	Sede sfera	Ball seat	€ 21,00	4
15	P0160SD004404A2	AISI	Sede sfera	Ball seat	€ 37,00	4
16	P0160CO004241PPN	PP +VTR	Collare	Collar	€ 8,00	2
17	P0160PD004242PPN	PP +VTR	Piede	Foot	€ 13,00	2
19+19a+19b+21+21a+21b	KITVITIP0160A	AISI	Viti, dadi e rondelle per alluminio	Screws, nuts and washers for aluminum	€ 14,00	1
19+19a+19b+21+21a+21b	KITVITIP0160P	AISI	Viti, dadi e rondelle per plastica	Screws, nuts and washers for plastic	€ 36,00	1
19+19a+19b+21+21a+21b	KITVITIP0160S	AISI	Viti, dadi e rondelle per aisi	Screws, nuts and washers for aisi	€ 24,00	1
23	VITEA18C04023A2	AISI	Viti griglia silenziatore	Screw silencer grid	€ 1,20	4
24	VITEA18C04010A2	AISI	Vite tapo distributore	Screw cover pneumatic exchanger	€ 1,20	1
31	GUARNORC004055NR	NBR	O-ring silenziatore	Silencer o-ring	€ 1,20	1
32	GUARNOMC06045NR	NBR	O-ring superiore per plastica-alluminio	O-ring upper for plastic-aluminium	€ 3,50	4
32	GUARNOMC06045VT	FPM	O-ring superiore per plastica-alluminio	O-ring upper for plastic-aluminium	€ 9,00	4

PHOENIX 160

32	GUARNOMC06045DT	EPDM	O-ring superiore per plastica-alluminio	O-ring upper for plastic-aluminium	€ 6,30	4
32	GUARNOMC06045TF	PTFE	O-ring superiore per plastica-alluminio	O-ring upper for plastic-aluminium	€ 9,00	4
32	GUARNOMC06237NR	NBR	O-ring superiore per AISI	Upper o-ring for AISI	€ 2,20	4
32	GUARNOMC06237VT	FPM	O-ring superiore per AISI	Upper o-ring for AISI	€ 7,30	4
32	GUARNOMC06237DT	EPDM	O-ring superiore per AISI	Upper o-ring for AISI	€ 5,30	4
32	GUARNOMC06237TF	PTFE	O-ring superiore per AISI	Upper o-ring for AISI	€ 9,50	4
33	GUARNORC04187NR	NBR	O-ring inferiore	Lower o-ring	€ 3,50	4
33	GUARNORC04187VT	FPM	O-ring inferiore	Lower o-ring	€ 8,00	4
33	GUARNORC04187DT	EPDM	O-ring inferiore	Lower o-ring	€ 6,00	4
33	P0160GN004737TF	PTFE	Guarnizione inferiore	Lower gasket	€ 8,00	4
43	SEEGEFOC04717AC	STEEL	Seeger distributore	Seeger pneumatic exchanger	€ 5,30	1
44	SEEGEFOC05020AC	STEEL	Seeger distributore	Seeger pneumatic exchanger	€ 5,30	1
45	P0065TP004703PP	PP+VTR	Tappo distributore	Cover pneumatic exchanger	€ 3,50	1
*46	P0250AN005157A2	AISI	Anello di rinforzo	Reinforcing ring	€ 20,00	2
47	P0050DS005375PM	PP	Distanziale corsa	Stroke spacer	€ 4,00	2

*	<b>ACCESSORIO/ACCESSORY</b>
---	-----------------------------

PHOENIX 160



**PHOENIX P170**

Fluimac s.r.l.  
Via Brescia,1  
21049 - Tradate (VA)  
Tel. +39-0331-866688  
Fax +39-0331-864870  
Web: www.fluimac.com  
Mail: info@fluimac.com

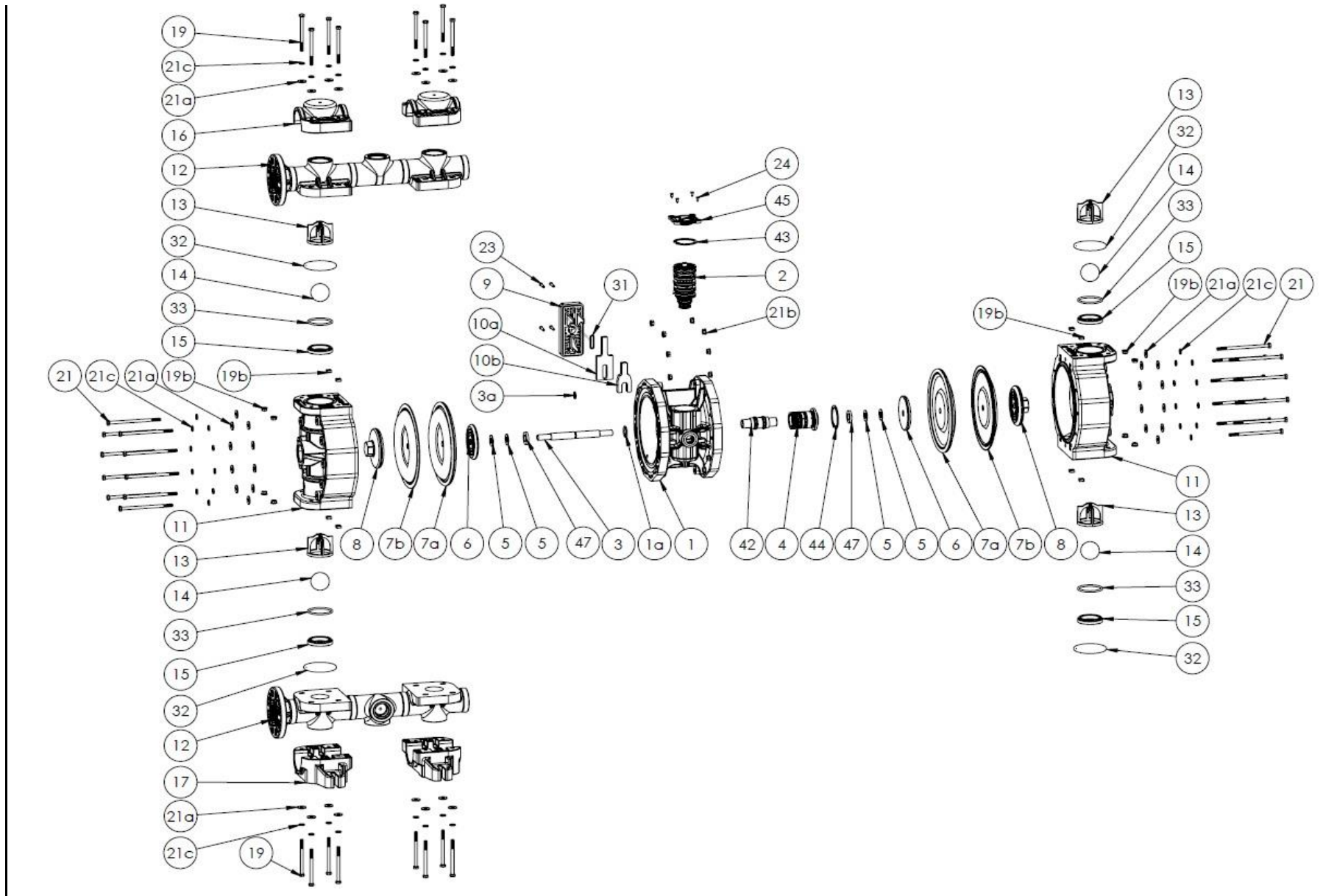
**LISTINO RICAMBI P170**

POSITION	CODE	MATERIAL	DESCRIZIONE	DESCRIPTION	PRICE UNIT Euro	Q. for PUMP
1	P0160CCR04221PPN	PP	Centrale	Central block	€ 161,00	1
1	P0160CCR04221PC	PC+CF	Centrale	Central block	€ 256,00	1
1a	GUARNORC03075NR	NBR	O-ring centrale	Centrale block o-ring	€ 1,00	1
2	E-065	POM-c	Distributore	Pneumatic Exchanger	€ 88,00	1
3	P0160AL004401A2	AISI	Albero	Shaft	€ 22,50	1
3a	GUARNORC02050NR	NBR	O-ring albero	Shaft O-ring	€ 2,00	1
4+42	C-065	POM-c	Comando	Command	€ 79,00	1
5	MOLLA70C25122AC	STEEL	Molla a tazza	Belleville washer	€ 4,00	4
6	P0160PT004402AL	ALUMINUM	Piattello lato aria	Air side cap	€ 21,00	2
7a	P0160ME004248HY	HYTREL	Membrana lato aria	Air diaphragm	€ 35,00	2
7a	P0160ME004248SA	SANTOPRENE	Membrana lato aria	Air diaphragm	€ 35,00	2
7a	P0160ME004710DT	EPDM	Membrana lato aria	Air diaphragm	€ 108,00	2
7a	P0160ME004710NR	NBR	Membrana lato aria	Air diaphragm	€ 108,00	2
7b	P0160ME004317TF	PTFE	Membrana lato fluido	Fluid diaphragm	€ 108,00	2
8	P0160CA104294PPG	PP+VTR	Cappello lato fluido	Fluid side cap	€ 39,00	2
8	P0160CA104294FC	PVDF+CF	Cappello lato fluido	Fluid side cap	€ 64,00	2
8	P0160CA104294PC	PP+CF	Cappello lato fluido	Fluid side cap	€ 47,00	2
8	P0160CA004530AL	ALUMINUM	Cappello lato fluido	Fluid side cap	€ 43,00	2
9	P0065GR004170PPN	PP+VTR	Griglia silenziatore	Silencer grid	€ 8,00	1
10a	P0065SL004266FL	FELT	Silenziatore esterno	External silencer	€ 4,00	1
10b	P0160SL004637FL	FELT	Silenziatore interno	Internal silencer	€ 4,00	1
11	P0170CPR00308PPG	PP+VTR	Corpo pompa	Pump casing	€ 79,00	2
11	P0170CPR00308FC	PVDF+CF	Corpo pompa	Pump casing	€ 703,50	2
11	P0170CPR00308PC	PP+CF	Corpo pompa	Pump casing	€ 193,00	2
12	P0170CLOF0306PPG	PP+VTR	Collettore superiore/inferiore	Upper/lower manifold	€ 90,00	2
12	P0170CLOF0306FC	PVDF+CF	Collettore superiore/inferiore	Upper/lower manifold	€ 518,00	2
12	P0170CLOF0306PC	PP+CF	Collettore superiore/inferiore	Upper/lower manifold	€ 140,00	2

PHOENIX 170

13	P0160GA004234EC	ECTFE	Gabbia	Ball cage guide	€ 9,50	4
14	SFERAMMC00040TF	PTFE	Sfera	Ball	€ 37,00	4
14	SFERAMMC00040A2	AISI	Sfera	Ball	€ 39,00	4
14	SFERAMMC00040DT	EPDM	Sfera	Ball	€ 18,00	4
14	SFERAMMC00040NR	NBR	Sfera	Ball	€ 18,00	4
15	P0160SD000011FV	PVDF	Sede sfera	Ball seat	€ 29,00	4
15	P0160SD004404PP	PP	Sede sfera	Ball seat	€ 14,00	4
15	P0160SD000010PZ	UHMW HDPE	Sede sfera	Ball seat	€ 14,00	4
15	P0160SD004404AL	ALUMINUM	Sede sfera	Ball seat	€ 21,00	4
15	P0160SD004404A2	AISI	Sede sfera	Ball seat	€ 37,00	4
16	P0170CO000322PPN	PP +VTR	Collare	Collar	€ 10,50	2
17	P0170PD0F0323PPN	PP +VTR	Piede	Foot	€ 13,00	2
19++19b+21+21a+21b+21c	KITVITIP0170P	AISI	Viti, dadi e rondelle per plastica	Screws, nuts and washers for plastic	€ 36,00	1
23	VITEA18C04023A2	AISI	Viti griglia silenziatore	Screw silencer grid	€ 1,20	4
24	VITEA18C04010A2	AISI	Vite tapo distributore	Screw cover pneumatic exchanger	€ 1,20	1
31	GUARNORC004055NR	NBR	O-ring silenziatore	Silencer o-ring	€ 1,20	1
32	GUARNOMC06237NR	NBR	O-ring superiore	Upper o-ring	€ 3,50	4
32	GUARNOMC06237VT	FPM	O-ring superiore	Upper o-ring	€ 9,00	4
32	GUARNOMC06237DT	EPDM	O-ring superiore	Upper o-ring	€ 6,30	4
32	GUARNOMC06237TF	PTFE	O-ring superiore	Upper o-ring	€ 9,00	4
33	GUARNORC04187NR	NBR	O-ring inferiore	Lower o-ring	€ 3,50	4
33	GUARNORC04187VT	FPM	O-ring inferiore	Lower o-ring	€ 8,00	4
33	GUARNORC04187DT	EPDM	O-ring inferiore	Lower o-ring	€ 6,00	4
33	P0160GN004737TF	PTFE	Guarnizione inferiore	Lower gasket	€ 8,00	4
43	SEEGEFOC04717AC	STEEL	Seeger distributore	Seeger pneumatic exchanger	€ 5,30	1
44	SEEGEFOC05020AC	STEEL	Seeger distributore	Seeger pneumatic exchanger	€ 5,30	1
45	P0065TP004703PP	PP+VTR	Tappo distributore	Cover pneumatic exchanger	€ 3,50	1
47	P0050DS005375PM	PP	Distanziale corsa	Stroke spacer	€ 4,00	2

PHOENIX 170



**PHOENIX P171**

Fluimac s.r.l.  
Via Brescia,1  
21049 - Tradate (VA)  
Tel. +39-0331-866688  
Fax +39-0331-864870  
Web: www.fluimac.com  
Mail: info@fluimac.com

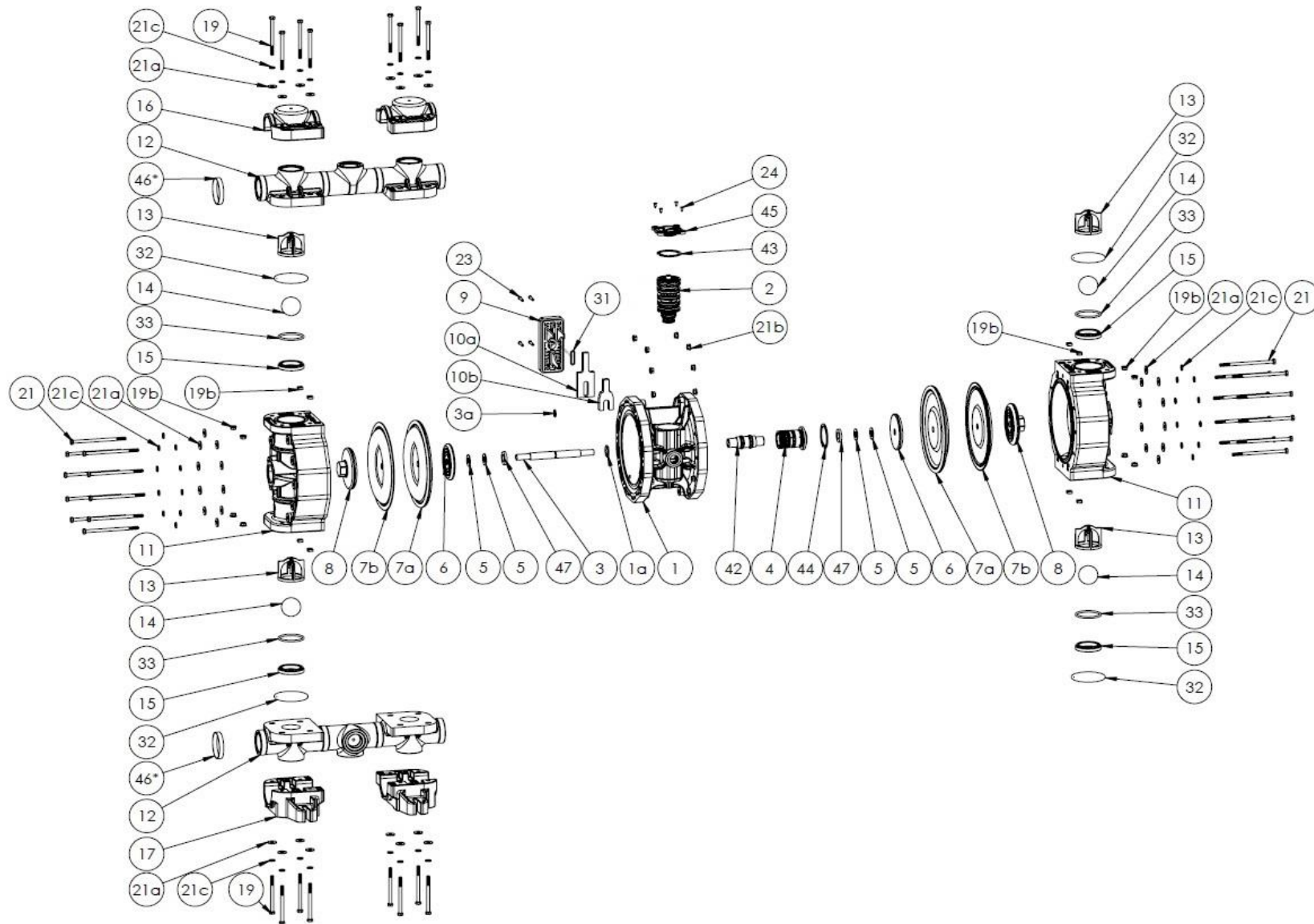
**LISTINO RICAMBI P171**

POSITION	CODE	MATERIAL	DESCRIZIONE	DESCRIPTION	PRICE UNIT Euro	Q. for PUMP
1	P0160CCR04221PPN	PP	Centrale	Central block	€ 161,00	1
1	P0160CCR04221PC	PC+CF	Centrale	Central block	€ 256,00	1
1a	GUARNORC03075NR	NBR	O-ring centrale	Centrale block o-ring	€ 1,00	1
2	E-065	POM-c	Distributore	Pneumatic Exchanger	€ 88,00	1
3	P0160AL004401A2	AISI	Albero	Shaft	€ 22,50	1
3a	GUARNORC02050NR	NBR	O-ring albero	Shaft O-ring	€ 2,00	1
4+42	C-065	POM-c	Comando	Command	€ 79,00	1
5	MOLLA70C25122AC	STEEL	Molla a tazza	Belleville washer	€ 4,00	4
6	P0160PT004402AL	ALUMINUM	Piattello lato aria	Air side cap	€ 21,00	2
7a	P0160ME004248HY	HYTREL	Membrana lato aria	Air diaphragm	€ 35,00	2
7a	P0160ME004248SA	SANTOPRENE	Membrana lato aria	Air diaphragm	€ 35,00	2
7a	P0160ME004710DT	EPDM	Membrana lato aria	Air diaphragm	€ 108,00	2
7a	P0160ME004710NR	NBR	Membrana lato aria	Air diaphragm	€ 108,00	2
7b	P0160ME004317TF	PTFE	Membrana lato fluido	Fluid diaphragm	€ 108,00	2
8	P0160CA104294PPG	PP+VTR	Cappellotto lato fluido	Fluid side cap	€ 39,00	2
8	P0160CA104294FC	PVDF+CF	Cappellotto lato fluido	Fluid side cap	€ 64,00	2
8	P0160CA104294PC	PP+CF	Cappellotto lato fluido	Fluid side cap	€ 47,00	2
8	P0160CA004530AL	ALUMINUM	Cappellotto lato fluido	Fluid side cap	€ 43,00	2
9	P0065GR004170PPN	PP+VTR	Griglia silenziatore	Silencer grid	€ 8,00	1
10a	P0065SL004266FL	FELT	Silenziatore esterno	External silencer	€ 4,00	1
10b	P0160SL004637FL	FELT	Silenziatore interno	Internal silencer	€ 4,00	1
11	P0170CPR00308PPG	PP+VTR	Corpo pompa	Pump casing	€ 79,00	2
11	P0170CPR00308FC	PVDF+CF	Corpo pompa	Pump casing	€ 703,50	2
11	P0170CPR00308PC	PP+CF	Corpo pompa	Pump casing	€ 193,00	2
12	P0170CL000305PPG	PP+VTR	Collettore superiore/inferiore	Upper/lower manifold	€ 81,00	2
12	P0170CL000305FC	PVDF+CF	Collettore superiore/inferiore	Upper/lower manifold	€ 502,00	2
12	P0170CL000305PC	PP+CF	Collettore superiore/inferiore	Upper/lower manifold	€ 130,00	2

PHOENIX 171

13	P0160GA004234EC	ECTFE	Gabbia	Ball cage guide	€ 9,50	4
14	SFERAMMC00040TF	PTFE	Sfera	Ball	€ 37,00	4
14	SFERAMMC00040A2	AISI	Sfera	Ball	€ 39,00	4
14	SFERAMMC00040DT	EPDM	Sfera	Ball	€ 18,00	4
14	SFERAMMC00040NR	NBR	Sfera	Ball	€ 18,00	4
15	P0160SD000011FV	PVDF	Sede sfera	Ball seat	€ 29,00	4
15	P0160SD004404PP	PP	Sede sfera	Ball seat	€ 14,00	4
15	P0160SD000010PZ	UHMW HDPE	Sede sfera	Ball seat	€ 14,00	4
15	P0160SD004404AL	ALUMINUM	Sede sfera	Ball seat	€ 21,00	4
15	P0160SD004404A2	AISI	Sede sfera	Ball seat	€ 37,00	4
16	P0170CO000322PPN	PP +VTR	Collare	Collar	€ 10,50	2
17	P0170PD000324PPN	PP +VTR	Piede	Foot	€ 11,50	2
19+19a+19b+21+21a+21b	KITVITIP0170P	AISI	Viti, dadi e rondelle per plastica	Screws, nuts and washers for plastic	€ 36,00	1
23	VITEA18C04023A2	AISI	Viti griglia silenziatore	Screw silencer grid	€ 1,20	4
24	VITEA18C04010A2	AISI	Vite tapo distributore	Screw cover pneumatic exchanger	€ 1,20	1
31	GUARNORC004055NR	NBR	O-ring silenziatore	Silencer o-ring	€ 1,20	1
32	GUARNOMC06237NR	NBR	O-ring superiore	Upper o-ring	€ 3,50	4
32	GUARNOMC06237VT	FPM	O-ring superiore	Upper o-ring	€ 9,00	4
32	GUARNOMC06237DT	EPDM	O-ring superiore	Upper o-ring	€ 6,30	4
32	GUARNOMC06237TF	PTFE	O-ring superiore	Upper o-ring	€ 9,00	4
33	GUARNORC04187NR	NBR	O-ring inferiore	Lower o-ring	€ 3,50	4
33	GUARNORC04187VT	FPM	O-ring inferiore	Lower o-ring	€ 8,00	4
33	GUARNORC04187DT	EPDM	O-ring inferiore	Lower o-ring	€ 6,00	4
33	P0160GN004737TF	PTFE	Guarnizione inferiore	Lower gasket	€ 8,00	4
43	SEEGEFOC04717AC	STEEL	Seeger distributore	Seeger pneumatic exchanger	€ 5,30	1
44	SEEGEFOC05020AC	STEEL	Seeger distributore	Seeger pneumatic exchanger	€ 5,30	1
45	P0065TP004703PP	PP+VTR	Tappo distributore	Cover pneumatic exchanger	€ 3,50	1
*46	P0171AN000429A2	AISI	Anello di rinforzo	Reinforcing ring	€ 20,00	2
47	P0050DS005375PM	PP	Distanziale corsa	Stroke spacer	€ 4,00	2
*	<b>ACCESSORIO/ACCESSORY</b>					

PHOENIX 171



**PHOENIX P250**

Fluimac s.r.l.  
Via Brescia, 1  
21049 - Tradate (VA)  
Tel. +39-0331-866688  
Fax +39-0331-864870  
Web: www.fluimac.com  
Mail: info@fluimac.com

**LISTINO RICAMBI P250**

POSITION	CODE	MATERIAL	DESCRIZIONE	DESCRIPTION	PRICE UNIT Euro	Q. for PUMP
1	P0160CCR04221PPN	PP	Centrale	Central block	€ 161,00	1
1	P0160CCR04221PC	PC+CF	Centrale	Central block	€ 256,00	1
1a	GUARNORC03075NR	NBR	O-ring centrale	Centrale block o-ring	€ 1,00	1
2	E-065	POM-c	Distributore	Pneumatic Exchanger	€ 88,00	1
3	P0160AL004401A2	AISI	Albero	Shaft	€ 22,50	1
3a	GUARNORC02050NR	NBR	O-ring albero	Shaft O-ring	€ 2,00	1
4+42	C-065	POM-c	Comando	Command	€ 79,00	1
5	MOLLA70C25122AC	STEEL	Molla a tazza	Belleville washer	€ 4,00	4
6	P0160PT004402AL	ALUMINUM	Piattello lato aria	Air side cap	€ 21,00	2
7a	P0160ME004248HY	HYTREL	Membrana lato aria	Air diaphragm	€ 35,00	2
7a	P0160ME004248SA	SANTOPRENE	Membrana lato aria	Air diaphragm	€ 35,00	2
7a	P0160ME004710DT	EPDM	Membrana lato aria	Air diaphragm	€ 108,00	2
7a	P0160ME004710NR	NBR	Membrana lato aria	Air diaphragm	€ 108,00	2
7b	P0160ME004317TF	PTFE	Membrana lato fluido	Fluid diaphragm	€ 108,00	2
8	P0160CA104294PPG	PP+VTR	Cappellotto lato fluido	Fluid side cap	€ 39,00	2
8	P0160CA104294FC	PVDF+CF	Cappellotto lato fluido	Fluid side cap	€ 64,00	2
8	P0160CA104294PC	PP+CF	Cappellotto lato fluido	Fluid side cap	€ 47,00	2
8	P0160CA004530AL	ALUMINUM	Cappellotto lato fluido	Fluid side cap	€ 43,00	2
8	P0160CAR04448A4	AISI	Cappellotto lato fluido	Fluid side cap	€ 77,00	2
9	P0065GR004170PPN	PP+VTR	Griglia silenziatore	Silencer grid	€ 8,00	1
10a	P0065SL004266FL	FELT	Silenziatore esterno	External silencer	€ 4,00	1
10b	P0160SL004637FL	FELT	Silenziatore interno	Internal silencer	€ 4,00	1
11	P0160CPR04240PPG	PP+VTR	Corpo pompa	Pump casing	€ 77,00	2
11	P0160CPR04240FC	PVDF+CF	Corpo pompa	Pump casing	€ 703,50	2
11	P0160CPR04240PC	PP+CF	Corpo pompa	Pump casing	€ 193,00	2
11	P0160CP004263AL	ALUMINUM	Corpo pompa	Pump casing	€ 62,00	2
11	P0160CPR04296A4	AISI 316	Corpo pompa	Pump casing	€ 590,00	2

PHOENIX 250

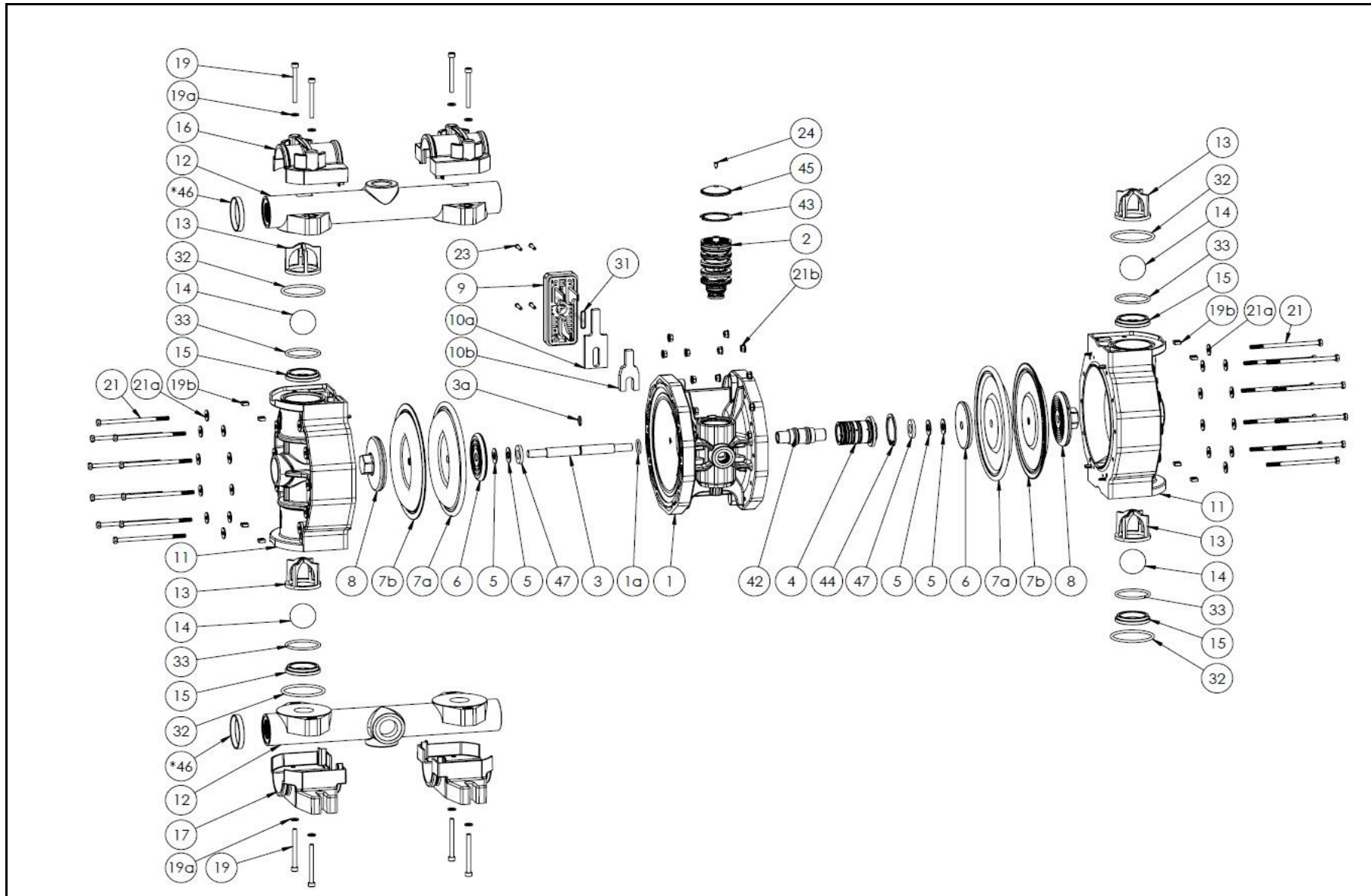
11	P0160CPR04296A4	AISI 316 ELECTROPOLISHED	Corpo pompa	Pump casing	€ 635,00	2
12	P0250CLR04224PPG	PP+VTR	Collettore superiore/inferiore	Upper/lower manifold	€ 77,00	2
12	P0250CLR04224FC	PVDF+CF	Collettore superiore/inferiore	Upper/lower manifold	€ 370,00	2
12	P0250CLR04224PC	PP+CF	Collettore superiore/inferiore	Upper/lower manifold	€ 115,50	2
12	P0250CLR04265AL	ALUMINUM	Collettore superiore/inferiore	Upper/lower manifold	€ 60,00	2
12a	P0250CLR04300A4	AISI 316	Collettore superiore	Upper manifold	€ 439,00	1
12b	P0250CLR04306A4	AISI 316	Collettore inferiore	Lower manifold	€ 562,00	1
12a	F0160CLR04299A4	AISI 316 ELECTROPOLISHED	Collettore superiore CLAMP	Upper manifold CLAMP	€ 598,50	1
12b	F0160CLR04305A4	AISI 316 ELECTROPOLISHED	Collettore inferiore CLAMP	Lower manifold CLAMP	€ 624,00	1
13	P0160GA004234EC	ECTFE	Gabbia	Ball cage guide	€ 9,50	4
14	SFERAMMC00040TF	PTFE	Sfera	Ball	€ 37,00	4
14	SFERAMMC00040A2	AISI	Sfera	Ball	€ 39,00	4
14	SFERAMMC00040DT	EPDM	Sfera	Ball	€ 18,00	4
14	SFERAMMC00040NR	NBR	Sfera	Ball	€ 18,00	4
15	P0160SD000011FV	PVDF	Sede sfera	Ball seat	€ 30,00	4
15	P0160SD004404PP	PP	Sede sfera	Ball seat	€ 14,00	4
15	P0160SD000010PZ	UHMW HDPE	Sede sfera	Ball seat	€ 14,00	4
15	P0160SD004404AL	ALUMINUM	Sede sfera	Ball seat	€ 21,00	4
15	P0160SD004404A2	AISI	Sede sfera	Ball seat	€ 37,00	4
16	P0160CO004241PPN	PP +VTR	Collare	Collar	€ 8,00	2
17	P0160PD004242PPN	PP +VTR	Piede	Foot	€ 13,00	2
19+19a+19b+21+ 21a+21b	KITVITIP0160A	AISI	Viti, dadi e rondelle per alluminio	Screws, nuts and washers for aluminum	€ 15,00	1
19+19a+19b+21+ 21a+21b	KITVITIP0160P	AISI	Viti, dadi e rondelle per plastica	Screws, nuts and washers for plastic	€ 36,00	1
19+19a+19b+21+ 21a+21b	KITVITIP0160S	AISI	Viti, dadi e rondelle per aisi	Screws, nuts and washers for aisi	€ 24,00	1
23	VITEA18C04023A2	AISI	Viti griglia silenziatore	Screw silencer grid	€ 1,20	4
24	VITEA18C04010A2	AISI	Vite tapo distributore	Screw cover pneumatic exchanger	€ 1,20	1
31	GUARNORC004055NR	NBR	O-ring silenziatore	Silencer o-ring	€ 1,20	1
32	GUARNOMC06045NR	NBR	O-ring superiore per plastica-alluminio	Upper o-ring for plastic-aluminium	€ 3,50	4
32	GUARNOMC06045VT	FPM	O-ring superiore per plastica-alluminio	Upper o-ring for plastic-aluminium	€ 9,00	4
32	GUARNOMC06045DT	EPDM	O-ring superiore per plastica-alluminio	Upper o-ring for plastic-aluminium	€ 6,30	4

PHOENIX 250

32	GUARNOMC06045TF	PTFE	O-ring superiore per plastica-alluminio	Upper o-ring for plastic-aluminium	€ 9,00	4
32	GUARNOMC06237NR	NBR	O-ring superiore per AISI	Upper o-ring for AISI	€ 2,20	4
32	GUARNOMC06237VT	FPM	O-ring superiore per AISI	Upper o-ring for AISI	€ 7,50	4
32	GUARNOMC06237DT	EPDM	O-ring superiore per AISI	Upper o-ring for AISI	€ 5,30	4
32	GUARNOMC06237TF	PTFE	O-ring superiore per AISI	Upper o-ring for AISI	€ 9,50	4
33	GUARNORC04187NR	NBR	O-ring inferiore	Lower o-ring	€ 3,50	4
33	GUARNORC04187VT	FPM	O-ring inferiore	Lower o-ring	€ 8,00	4
33	GUARNORC04187DT	EPDM	O-ring inferiore	Lower o-ring	€ 6,00	4
33	P0160GN004737TF	PTFE	Guarnizione inferiore	Lower gasket	€ 8,00	4
43	SEEGEFOC04717AC	STEEL	Seeger distributore	Seeger pneumatic exchanger	€ 5,30	1
44	SEEGEFOC05020AC	STEEL	Seeger distributore	seeger pneumatic exchanger	€ 5,30	1
45	P0065TP004703PP	PP+VTR	Tappo distributore	Cover pneumatic exchanger	€ 3,50	1
*46	P0250AN005157A2	AISI	Anello di rinforzo	Reinforcing ring	€ 20,00	2
47	P0050DS005375PM	PP	Distanziale corsa	Stroke spacer	€ 4,00	2

*	<b>ACCESSORIO/ACCESSORY</b>
---	-----------------------------

PHOENIX 250



**PHOENIX P252**

Fluimac s.r.l.  
Via Brescia,1  
21049 - Tradate (VA)  
Tel. +39-0331-866688  
Fax +39-0331-864870  
Web: www.fluimac.com  
Mail: info@fluimac.com

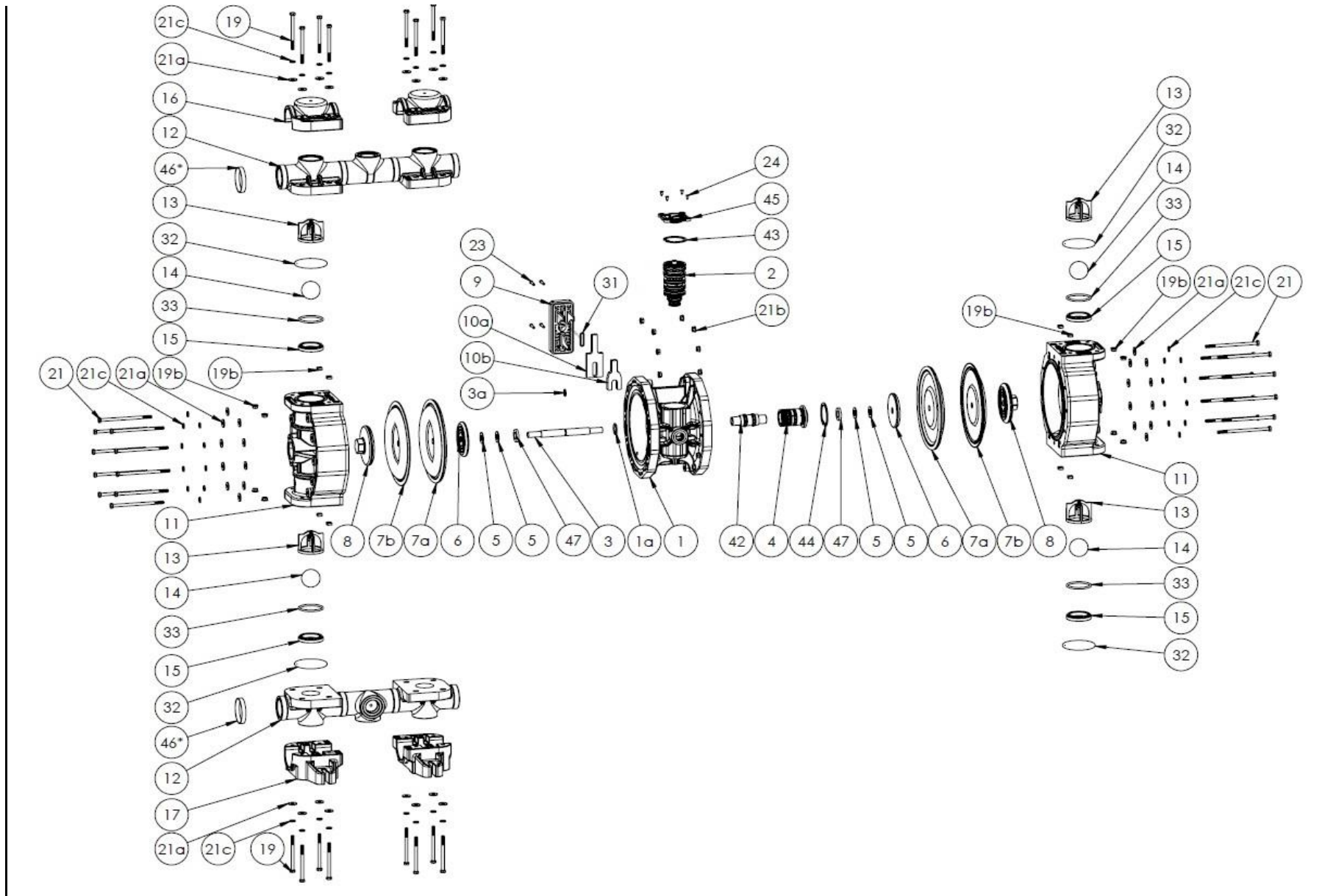
**LISTINO RICAMBI P252**


POSITION	CODE	MATERIAL	DESCRIZIONE	DESCRIPTION	PRICE UNIT Euro	Q. for PUMP
1	P0160CCR04221PPN	PP	Centrale	Central block	€ 161,00	1
1	P0160CCR04221PC	PC+CF	Centrale	Central block	€ 256,00	1
1a	GUARNORC03075NR	NBR	O-ring centrale	Centrale block o-ring	€ 1,00	1
2	E-065	POM-c	Distributore	Pneumatic Exchanger	€ 88,00	1
3	P0160AL004401A2	AISI	Albero	Shaft	€ 22,50	1
3a	GUARNORC02050NR	NBR	O-ring albero	Shaft O-ring	€ 2,00	1
4+42	C-065	POM-c	Comando	Command	€ 79,00	1
5	MOLLA70C25122AC	STEEL	Molla a tazza	Belleville washer	€ 4,00	4
6	P0160PT004402AL	ALUMINUM	Piattello lato aria	Air side cap	€ 21,00	2
7a	P0160ME004248HY	HYTREL	Membrana lato aria	Air diaphragm	€ 35,00	2
7a	P0160ME004248SA	SANTOPRENE	Membrana lato aria	Air diaphragm	€ 35,00	2
7a	P0160ME004710DT	EPDM	Membrana lato aria	Air diaphragm	€ 108,00	2
7a	P0160ME004710NR	NBR	Membrana lato aria	Air diaphragm	€ 108,00	2
7b	P0160ME004317TF	PTFE	Membrana lato fluido	Fluid diaphragm	€ 108,00	2
8	P0160CA104294PPG	PP+VTR	Cappellotto lato fluido	Fluid side cap	€ 39,00	2
8	P0160CA104294FC	PVDF+CF	Cappellotto lato fluido	Fluid side cap	€ 64,00	2
8	P0160CA104294PC	PP+CF	Cappellotto lato fluido	Fluid side cap	€ 47,00	2
8	P0160CA004530AL	ALUMINUM	Cappellotto lato fluido	Fluid side cap	€ 43,00	2
9	P0065GR004170PPN	PP+VTR	Griglia silenziatore	Silencer grid	€ 8,00	1
10a	P0065SL004266FL	FELT	Silenziatore esterno	External silencer	€ 4,00	1
10b	P0160SL004637FL	FELT	Silenziatore interno	Internal silencer	€ 4,00	1
11	P0170CPR00308PPG	PP+VTR	Corpo pompa	Pump casing	€ 79,00	2
11	P0170CPR00308FC	PVDF+CF	Corpo pompa	Pump casing	€ 703,50	2
11	P0170CPR00308PC	PP+CF	Corpo pompa	Pump casing	€ 193,00	2
12	P0252CL000307PPG	PP+VTR	Collettore superiore/inferiore	Upper/lower manifold	€ 94,50	2
12	P0252CL000307FC	PVDF+CF	Collettore superiore/inferiore	Upper/lower manifold	€ 524,00	2
12	P0252CL000307PC	PP+CF	Collettore superiore/inferiore	Upper/lower manifold	€ 143,00	2

PHOENIX 252

13	P0160GA004234EC	ECTFE	Gabbia	Ball cage guide	€ 9,50	4
14	SFERAMMC00040TF	PTFE	Sfera	Ball	€ 37,00	4
14	SFERAMMC00040A2	AISI	Sfera	Ball	€ 39,00	4
14	SFERAMMC00040DT	EPDM	Sfera	Ball	€ 18,00	4
14	SFERAMMC00040NR	NBR	Sfera	Ball	€ 18,00	4
15	P0160SD000011FV	PVDF	Sede sfera	Ball seat	€ 30,00	4
15	P0160SD004404PP	PP	Sede sfera	Ball seat	€ 14,00	4
15	P0160SD000010PZ	UHMW HDPE	Sede sfera	Ball seat	€ 14,00	4
15	P0160SD004404AL	ALUMINUM	Sede sfera	Ball seat	€ 21,00	4
15	P0160SD004404A2	AISI	Sede sfera	Ball seat	€ 37,00	4
16	P0170CO000322PPN	PP +VTR	Collare	Collar	€ 10,50	2
17	P0170PD000324PPN	PP +VTR	Piede	Foot	€ 11,50	2
19+19b+21+21a+ 21b+21c	KITVITIP0170P	AISI	Viti, dadi e rondelle per plastica	Screws, nuts and washers for plastic	€ 36,00	1
23	VITEA18C04023A2	AISI	Viti griglia silenziatore	Screw silencer grid	€ 1,20	4
24	VITEA18C04010A2	AISI	Vite tappo distributore	Screw cover pneumatic exchanger	€ 1,20	1
31	GUARNORC004055NR	NBR	O-ring silenziatore	Silencer o-ring	€ 1,20	1
32	GUARNOMC06237NR	NBR	O-ring superiore	Upper o-ring	€ 3,50	4
32	GUARNOMC06237VT	FPM	O-ring superiore	Upper o-ring	€ 9,00	4
32	GUARNOMC06237DT	EPDM	O-ring superiore	Upper o-ring	€ 6,30	4
32	GUARNOMC06237TF	PTFE	O-ring superiore	Upper o-ring	€ 9,00	4
33	GUARNORC04187NR	NBR	O-ring inferiore	Lower o-ring	€ 3,50	4
33	GUARNORC04187VT	FPM	O-ring inferiore	Lower o-ring	€ 8,00	4
33	GUARNORC04187DT	EPDM	O-ring inferiore	Lower o-ring	€ 6,00	4
33	P0160GN004737TF	PTFE	Guarnizione inferiore	Lower gasket	€ 8,00	4
43	SEEGEFOC04717AC	STEEL	Seeger distributore	Seeger pneumatic exchanger	€ 5,30	1
44	SEEGEFOC05020AC	STEEL	Seeger distributore	seeger pneumatic exchanger	€ 5,30	1
45	P0065TP004703PP	PP+VTR	Tappo distributore	Cover pneumatic exchanger	€ 3,50	1
47	P0050DS005375PM	PP	Distanziale corsa	Stroke spacer	€ 4,00	2
<b>46*</b>	<b>ACCESSORIO/ACCESSORY</b>					

PHOENIX 252

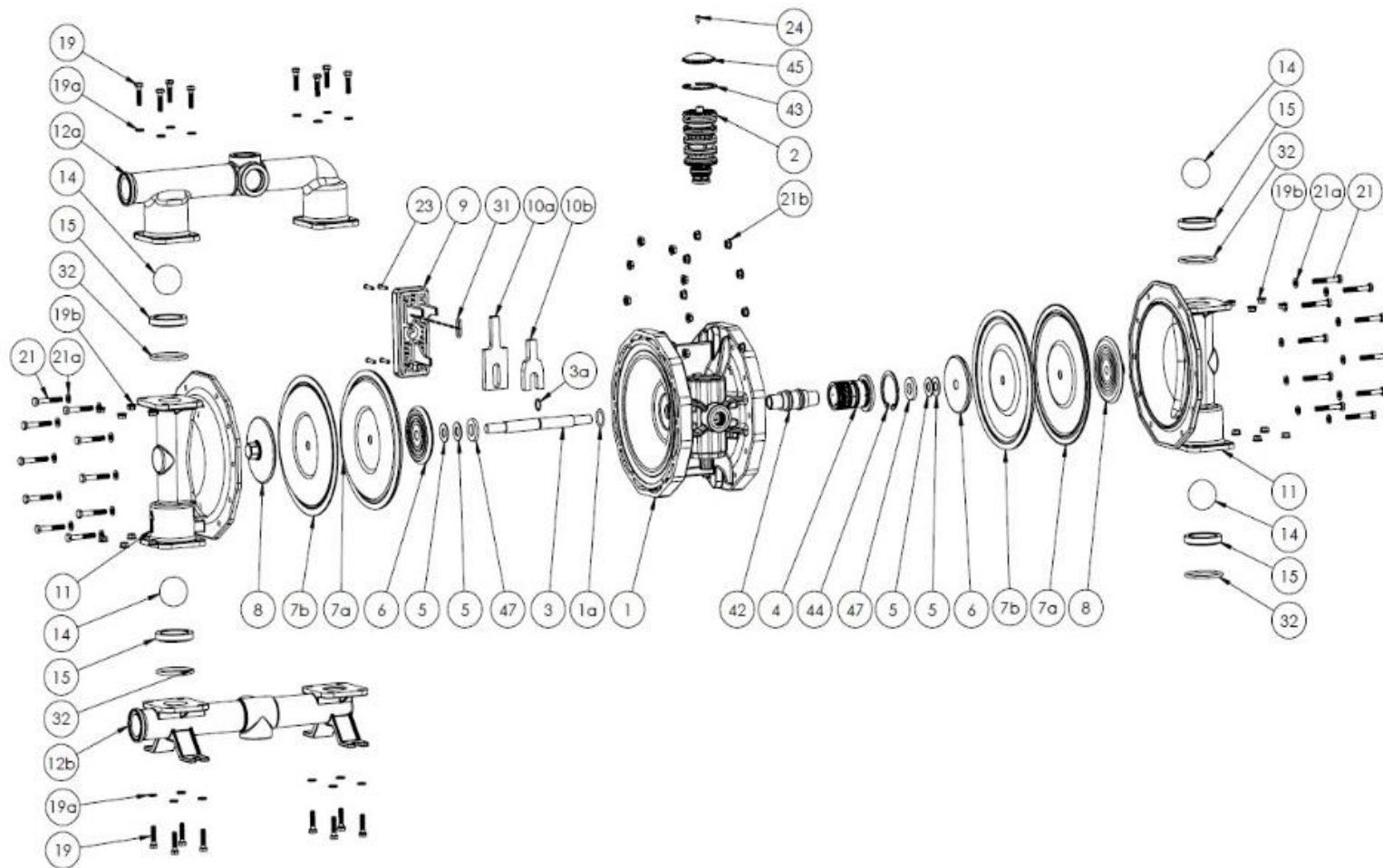


<b>PHOENIX P170 - 252 S</b>					Fluimac s.r.l. Via Brescia, 1 21049 - Tradate (VA) Tel. +39-0331-866688 Fax +39-0331-864870 Web: www.fluimac.com Mail: info@fluimac.com	
<b>LISTINO RICAMBI P170-252 S</b>						
<b>POSITION</b>	<b>CODE</b>	<b>MATERIAL</b>	<b>DESCRIZIONE</b>	<b>DESCRIPTION</b>	<b>PRICE UNIT Euro</b>	<b>Q. for PUMP</b>
1	P0160CCR04221PPN	PP	Centrale	Central block	€ 161,00	1
1	P0160CCR04221PC	PC+CF	Centrale	Central block	€ 256,00	1
1	P0160CCR04221PPB	PP	Centrale per FOOD 170	Central block for FOOD 170	€ 161,00	1
1a	GUARNORC03075NR	NBR	O-ring centrale	Centrale block o-ring	€ 1,00	1
2	E-065	POM-c	Distributore	Pneumatic Exchanger	€ 88,00	1
3	P0160AL004401A2	AISI	Albero	Shaft	€ 22,50	1
3a	GUARNORC02050NR	NBR	O-ring albero	Shaft O-ring	€ 2,00	1
4+42	C-065	POM-c	Comando	Command	€ 79,00	1
5	MOLLA70C25122AC	STEEL	Molla a tazza	Belleville washer	€ 4,00	4
6	P0160PT004402AL	ALUMINUM	Piattello lato aria	Air side cap	€ 21,00	2
7a	P0160ME004248HY	HYTREL	Membrana lato aria	Air diaphragm	€ 35,00	2
7a	P0160ME004248SA	SANTOPRENE	Membrana lato aria	Air diaphragm	€ 35,00	2
7a	P0160ME004710DT	EPDM	Membrana lato aria	Air diaphragm	€ 108,00	2
7a	P0160ME004710NR	NBR	Membrana lato aria	Air diaphragm	€ 108,00	2
7b	P0160ME004317TF	PTFE	Membrana lato fluido	Fluid diaphragm	€ 108,00	2
8	P0160CAR04448A4	AISI	Cappello lato fluido	Fluid side cap	€ 77,00	2
9	P0065GR004170PPN	PP+VTR	Griglia silenziatore	Silencer grid	€ 8,00	1
10a	P0065SL004266FL	FELT	Silenziatore esterno	External silencer	€ 4,00	1
10b	P0160SL004637FL	FELT	Silenziatore interno	Internal silencer	€ 4,00	1
11	P0170CPR00192A4	AISI	Corpo pompa	Pump casing	€ 435,00	2
11	F0170CPR00192A4	AISI ELECTROPOLISHED	Corpo pompa	Pump casing	€ 477,00	2
12a	P0170CLR00193A4	AISI	Collettore superiore 1"	1" upper manifold	€ 391,00	1
12b	P0170CLR00194A4	AISI	Collettore inferiore 1"	1" lower manifold	€ 397,00	1
12a	P0252CLR00197A4	AISI	Collettore superiore 1"1/4	1"1/4 upper manifold	€ 417,00	1
12b	P0252CLR00198A4	AISI	Collettore inferiore 1"1/4	1"1/4 lower manifold	€ 569,00	1
12a	F0170CLR00195A4	AISI ELECTROPOLISHED	Collettore superiore CLAMP	Upper manifold CLAMP	€ 417,00	1

PHOENIX 170-252 S

12b	F0170CLR00196A4	AISI ELECTROPOLISHED	Collettore inferiore CLAMP	Lower manifold CLAMP	€ 423,00	1
14	SFERAMMC00040TF	PTFE	Sfera	Ball	€ 37,00	4
14	SFERAMMC00040A2	AISI	Sfera	Ball	€ 39,00	4
15	P0170SD000285A2	AISI	Sede sfera	Ball seat	€ 37,00	4
19+19a+19b+21+ 21a+21b	KITVITIP0170S	AISI	Viti, dadi e rondelle per aisi	Screws, nuts and washers for aisi	€ 24,00	1
23	VITEA18C04023A2	AISI	Viti griglia silenziatore	Screw silencer grid	€ 1,20	4
24	VITEA18C04010A2	AISI	Vite tappo distributore	Screw cover pneumatic exchanger	€ 1,20	1
31	GUARNORC004055NR	NBR	O-ring silenziatore	Silencer o-ring	€ 1,20	1
32	GUARNORC04187NR	NBR	O-ring inferiore	Lower o-ring	€ 3,50	4
32	GUARNORC04187VT	FPM	O-ring inferiore	Lower o-ring	€ 8,00	4
32	GUARNORC04187DT	EPDM	O-ring inferiore	Lower o-ring	€ 5,50	4
32	GUARNORC04188TF	PTFE	Guarnizione inferiore	Lower gasket	€ 12,00	4
43	SEEGEFOC04717AC	STEEL	Seeger distributore	Pneumatic exchanger seeget	€ 5,30	1
44	SEEGEFOC05020AC	STEEL	Seeger comando	Command seeger	€ 5,30	1
45	P0065TP004703PP	PP+VTR	Tappo distributore	Cover pneumatic exchanger	€ 3,50	1
47	P0050DS005375PM	PP	Distanziale corsa	Stroke spacer	€ 3,50	2

*	<b>ACCESSORIO/ACCESSORY</b>
---	-----------------------------



**PHOENIX P400**

Fluimac s.r.l.  
Via Brescia, 1  
21049 - Tradate (VA)  
Tel. +39-0331-866688  
Fax +39-0331-864870  
Web: www.fluimac.com  
Mail: info@fluimac.com

**LISTINO RICAMBI P400**

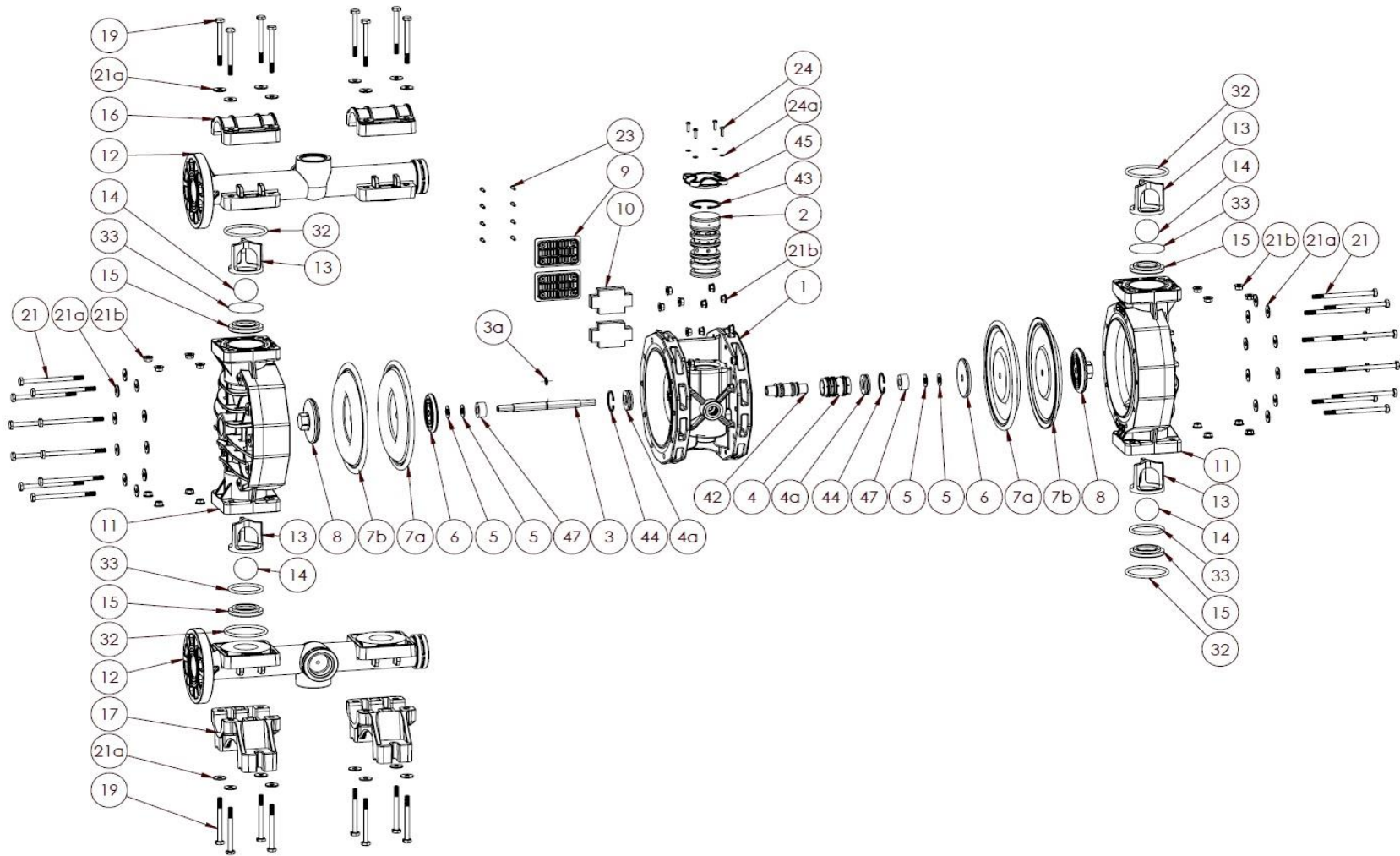
POSITION	CODE	MATERIAL	DESCRIZIONE	DESCRIPTION	PRICE UNIT Euro	Q. for PUMP
1	P0400CCR00058PPN	PP+VTR	Centrale	Central block	€ 202,00	1
1	P0400CCR00058PC	PP+CF	Centrale	Central block	€ 344,00	1
2	E-400	POM-c	Distributore	Pneumatic Exchanger	€ 198,50	1
3	P0400AL000061A2	AISI	Albero	Shaft	€ 27,00	1
3a	GUARNORC02050NR	NBR	O-ring	O-ring	€ 2,00	1
4+4a+42	C-400	POM-c	Comando	Command	€ 101,00	1
5	MOLLA70C25122AC	STEEL	Molla a tazza	Belleville wascher	€ 4,00	4
6	P0160PT004402AL	ALUMINUM	Piattello lato aria	Air side cup	€ 21,00	2
7a	P0400ME000063HY	HYTREL	Membrana lato aria	Air diaphragm	€ 39,00	2
7a	P0400ME000063SA	SANTOPRENE	Membrana lato aria	Air diaphragm	€ 39,00	2
7a	P0400ME000208DT	EPDM	Membrana lato aria	Air diaphragm	€ 121,00	2
7a	P0400ME000208NR	NBR	Membrana lato aria	Air diaphragm	€ 121,00	2
7b	P0400ME000064TF	PTFE	Membrana lato fluido	Fluid diaphragm	€ 126,00	2
8	P0160CA104294PPG	PP	Cappello lato fluido	Fluid side cap	€ 39,00	2
8	P0160CA104294PC	PP+CF	Cappello lato fluido	Fluid side cap	€ 47,00	2
8	P0160CA104294FC	PVDF+CF	Cappello lato fluido	Fluid side cap	€ 64,00	2
8	P0160CA004530AL	ALUMINUM	Cappello lato fluido	Fluid side cap	€ 43,00	2
9	P0400GR000066PPN	PP	Griglia silenziatore	Silencer grid	€ 4,20	2
10	P0400SL000202FL	FELT	Silenziatore	Silencer	€ 7,50	4
11	P0400CP000067PPG	PP+VTR	Corpo pompa	Pump casing	€ 81,00	2
11	P0400CP000067PC	PP+CF	Corpo pompa	Pump casing	€ 170,00	2
11	P0400CP000067FC	PVDF+CF	Corpo pompa	Pump casing	€ 800,00	2
11	P0400CPR000204AL	ALUMINUM	Corpo pompa	Pump casing	€ 79,00	2
12	P0400CLR00096PPG	PP	Collettore superiore/inferiore 1/2	Upper/lower manifold 1"1/2	€ 94,50	2
12	P0400CLR00096PC	PC	Collettore superiore/inferiore 1/2	Upper/lower manifold 1"1/2	€ 161,00	2

PHOENIX 400

12	P0400CLR00096FC	PVDF+CF	Collettore superiore/inferiore 1/2 1"	Upper/lower manifold 1"1/2	€ 476,00	2
12	P0400CLR00204AL	ALUMINUM	Collettore superiore/inferiore 1/2 1"	Upper/lower manifold 1"1/2	€ 121,00	2
13	P0400GA000069PPG	PP	Gabbia	Ball cage guide	€ 5,30	4
13	P0400GA000069EC	ECTFE	Gabbia	Ball cage guide	€ 14,00	4
14	SFERAMM00045TF	PTFE	Sfera	Ball	€ 50,00	4
14	SFERAINC1034A2	AISI	Sfera	Ball	€ 66,00	4
15	SFERAMM00045DT	EPDM	Sfera	Ball	€ 20,50	4
16	SFERAMM00045NR	NBR	Sfera	Ball	€ 20,50	4
15	P0400SD000068PP	PP	Sede sfera	Ball seat	€ 16,00	4
15	P0400SD000068FV	PVDF	Sede sfera	Ball seat	€ 42,00	4
15	P0400SD000068AL	ALUMINUM	Sede sfera	Ball seat	€ 24,00	4
15	P0400SD000207PZ	POLIZENE	Sede sfera	Ball seat	€ 16,00	4
15	P0400SD000068A4	AISI	Sede sfera	Ball seat	€ 51,00	4
16	P0400CO000079PPN	PP	Collare	Collar	€ 9,00	2
17	P0400PD000078PPN	PP	Piede	Foot	€ 16,00	2
19+21+21a +21b	KITVITIP0400A	AISI	Viti, dadi e rondelle per alluminio	Screws, nuts and washers for aluminum	€ 39,00	1
19+21+21a +21b	KITVITIP0400P	AISI	Viti, dadi e rondelle per plastica	Screws, nuts and washers for plastic	€ 77,00	1
23	VITEM18C04018A2	AISI	Viti griglia silenziatore	Screw silencer grid	€ 1,20	8
24	VITEM10C04016A2	AISI	Viti tappo distributore	Screw cover Pneumatic exchanger	€ 1,20	4
24a	RONDP50C04009A2	AISI	Rondelle tappo distributore	Washer cover Pneumatic exchanger	€ 1,20	4
32	GUARNORC06287NR	NBR	O-ring superiore	Upper o-ring	€ 5,50	4
32	GUARNORC06287DT	EPDM	O-ring superiore	Upper o-ring	€ 8,50	4
32	GUARNORC06287VT	VITON	O-ring superiore	Upper o-ring	€ 9,50	4
32	GUARNORC06287TF	PTFE	O-ring superiore	Upper o-ring	€ 27,00	4
33	GUARNORC06225NR	NBR	O-ring inferiore	Lower o-ring	€ 4,50	4
33	GUARNORC06225DT	EPDM	O-ring inferiore	Lower o-ring	€ 6,50	4
33	GUARNORC06225VT	VITON	O-ring inferiore	Lower o-ring	€ 6,50	4
33	GUARNORC06225TF	PTFE	O-ring inferiore	Lower o-ring	€ 18,00	4
43	SEEGEFOC05520AC	STEEL	Seeger distributore	Seeger pneumatic exchanger	€ 4,50	1
44	SEEGEFOC04017AC	STEEL	Seeger comando	Command seeger	€ 4,50	2
45	P0400TP000113PP	PP	Tappo distributore	Cover pneumatic exchanger	€ 10,00	1
47	P0400DS000062PM	POM-c	Distanziale corsa	Stroke spacer	€ 4,50	2



PHOENIX 400



**PHOENIX P400S**

Fluimac s.r.l.  
Via Brescia, 1  
21049 - Tradate (VA)  
Tel. +39-0331-866688  
Fax +39-0331-864870  
Web: www.fluimac.com  
Mail: info@fluimac.com

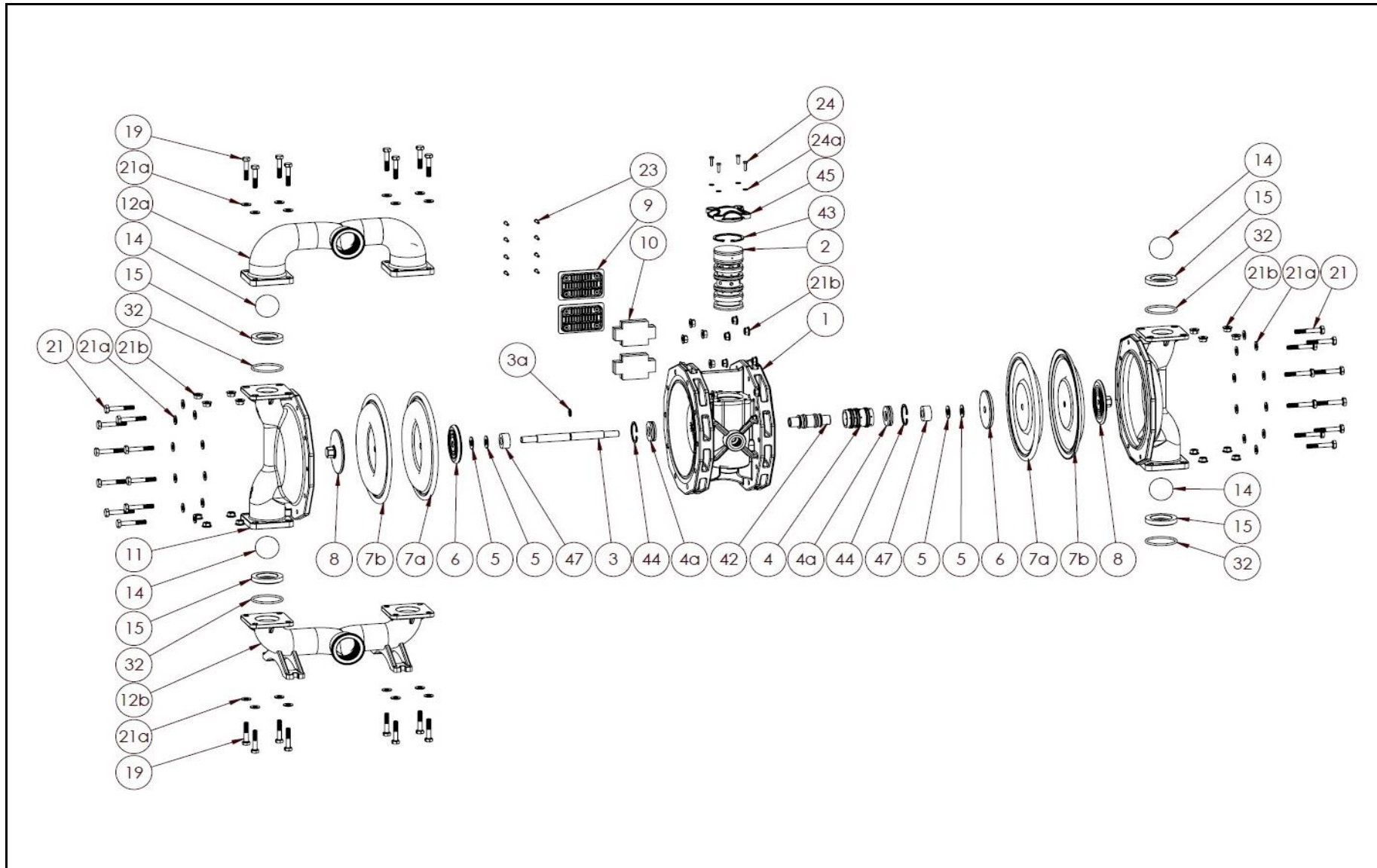
**LISTINO RICAMBI P400S**

POSITION	CODE	MATERIAL	DESCRIZIONE	DESCRIPTION	PRICE UNIT Euro	Q. for PUMP
1	P0400CCR00058PPN	PP	Centrale	Central block	€ 202,00	1
1	P0400CCR00058PC	PP+CF	Centrale	Central block	€ 344,00	1
1	P0400CCR00058PPB	PP	Centrale	Central block for food	€ 202,00	1
2	E-400	POM-c	Distributore	Pneumatic Exchanger	€ 198,50	1
3	P0400AL000061A2	AISI 304	Albero	Shaft	€ 27,00	1
3a	GUARNORC02050NR	NBR	O-ring albero	Shaft o-ring	€ 2,00	1
4+4a+42	C-400	POM-c	Comando	Command	€ 101,00	1
5	MOLLA70C25122AC	STEEL	Molla a tazza	Belleville wascher	€ 4,00	4
6	P0160PT004402AL	ALUMINUM	Piattello lato aria	Air side cup	€ 21,00	2
7a	P0400ME000063HY	HYTREL	Membrana lato aria	Air diaphragm	€ 39,00	2
7a	P0400ME000063SA	SANTOPRENE	Membrana lato aria	Air diaphragm	€ 39,00	2
7b	P0400ME000064TF	PTFE	Membrana lato fluido	Fluid diaphragm	€ 126,00	2
8	P0160CAR04448A4	AISI	Cappello lato fluido	Fluid side cap	€ 77,00	2
9	P0400GR000066PPN	PP	Griglia silenziatore	Silencer grid	€ 4,20	2
10	P0400SL000202FL	FELT	Silenziatore	Silencer	€ 7,50	4
11	P0400CPR00112A4	AISI 316	Corpo pompa	Pump casing	€ 651,00	2
11	P0400CPR00112A4	AISI 316 ELECTROPOLISHED	Corpo pompa	Pump casing	€ 714,00	2
12a	P0400CLR00114A4	AISI 316	Collettore superiore 1"1/2	Upper manifold 1"1/2	€ 477,00	1
12a	F0400CLR00117A4	AISI 316 ELECTROPOLISHED	Collettore superiore CLAMP 2"	Upper manifold CLAMP 2"	€ 523,00	1
12b	P0400CLR00115A4	AISI 316	Collettore inferiore 1" 1/2	Lower manifold 1"1/2	€ 504,00	1
12b	F0400CLR00118A4	AISI 316 ELECTROPOLISHED	Collettore inferiore CLAMP 2"	Lower manifold CLAMP 2"	€ 578,50	1
14	SFERAMM00045TF	PTFE	Sfera	Ball	€ 50,00	4
14	SFERAINC1034A2	AISI	Sfera	Ball	€ 66,00	4
15	P0400SD000116A4	AISI	Sede sfera	Ball seat	€ 51,00	4
19+21+21a+21b	KITVITIP400S	AISI	Viti, dadi e rondelle per aisi	Screws, nuts and washers for aisi	€ 52,50	1

PHOENIX 400 AISI

23	VITEM18C04018A2	AISI	Viti griglia silenziatore	Screw silencer grid	€ 1,20	8
24	VITEM10C04016A2	AISI	Viti tappo distributore	Screw cover Pneumatic exchanger	€ 1,20	4
24a	RONDP50C06012A2	AISI	rondelle tappo distributore	Washer cover Pneumatic exchanger	€ 1,20	4
32	GUARNORC00158TF	PTFE	O-ring superiore	Upper o-ring	€ 27,00	4
43	SEEGEFOC05520AC	STEEL	Seeger distributore	Seeger pneumatic exchanger	€ 4,50	1
44	SEEGEFOC04017AC	STEEL	Seeger comando	Command seeger	€ 4,50	2
45	P0400TP000113PP	PP	Tappo distributore	Cover pneumatic exchanger	€ 10,00	1
47	P0400DS000062PM	POM-c	Distanziale corsa	Stroke spacer	€ 4,50	2

PHOENIX 400 AISI



**PHOENIX P700**

Fluimac s.r.l.  
Via Brescia, 1  
21049 - Tradate (VA)  
Tel. +39-0331-866688  
Fax +39-0331-864870  
Web: www.fluimac.com  
Mail: info@fluimac.com

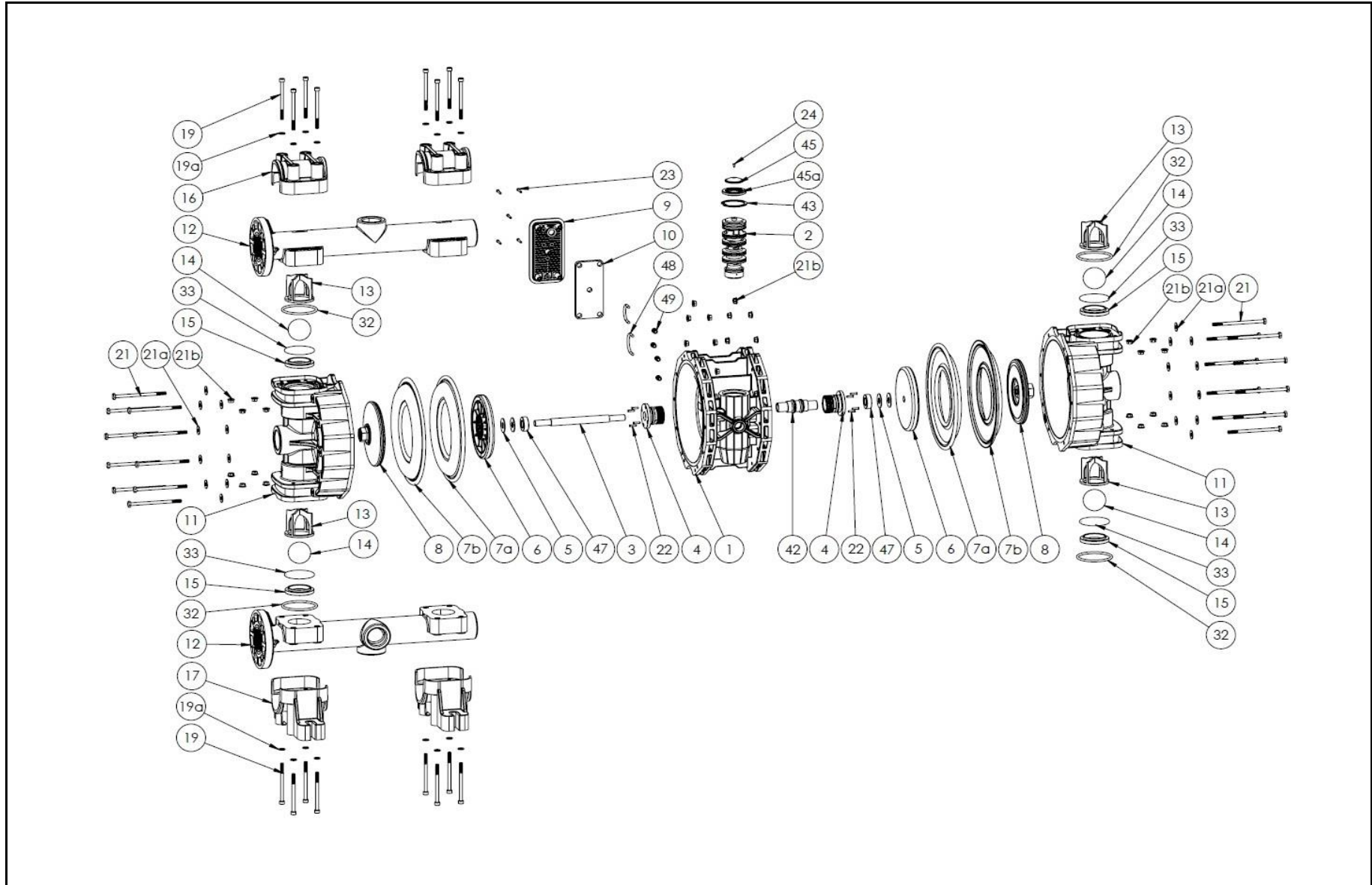
**LISTINO RICAMBI P700**


POSITION	CODE	MATERIAL	DESCRIZIONE	DESCRIPTION	PRICE UNIT Euro	Q. for PUMP
1	P0700CCR04355PPN	PP	Centrale	Central block	€ 249,00	1
1	P0700CCR04355PC	PP+CF	Centrale	Central block	€ 613,00	1
2	E-700	POM-c	Distributore	Pneumatic Exchanger	€ 278,00	1
3	P0700AL004644A2	AISI	Albero	Shaft	€ 40,00	1
4+42	C-700	POM-c	Comando	Command	€ 214,00	1
5	MOLLA70C40162AC	STEEL	Molla a tazza	Belleville washer	€ 5,00	4
6	P0700PT004423AL	ALUMINUM	Piattello lato aria	Air side cap	€ 35,00	2
7a	P0700ME004262HY	HYTREL	Membrana lato aria	Air diaphragm	€ 49,00	2
7a	P0700ME004262SA	SANTOPRENE	Membrana lato aria	Air diaphragm	€ 49,00	2
7a	P0700ME004711DT	EPDM	Membrana lato aria	Air diaphragm	€ 133,00	2
7a	P0700ME004711NR	NBR	Membrana lato aria	Air diaphragm	€ 133,00	2
7b	P0700ME004475TF	PTFE	Membrana lato fluido	Fluid diaphragm	€ 168,00	2
8	P0700CA104422PPG	PP+VTR	Cappellotto lato fluido	Fluid side cap	€ 73,50	2
8	P0700CA104422FC	PVDF+CF	Cappellotto lato fluido	Fluid side cap	€ 164,00	2
8	P0700CA104422PC	PP+CF	Cappellotto lato fluido	Fluid side cap	€ 108,00	2
8	P0700CAR04421AL	ALUMINUM	Cappellotto lato fluido	Fluid side cap	€ 37,00	2
9	P0700GR004395PPN	PP+VTR	Griglia silenziatore	silencer grid	€ 21,00	1
10	P0700SL004725FL	FELT	Silenziatore	Silencer	€ 12,00	1
11	P0700CP004354PPG	PP+VTR	Corpo pompa	Pump casing	€ 148,00	2
11	P0700CP004354FC	PVDF+CF	Corpo pompa	Pump casing	€ 1.420,00	2
11	P0700CP004354PC	PP+CF	Corpo pompa	Pump casing	€ 364,00	2
11	P0700CP004349AL	ALUMINUM	Corpo pompa	Pump casing	€ 90,00	2
12	P0700CLR04352PPG	PP+VTR	Collettore superiore/inferiore 2"	Upper/lower manifold	€ 158,50	2
12	P0700CLR04352FC	PVDF+CF	Collettore superiore/inferiore 2"	Upper/lower manifold	€ 819,00	2
12	P0700CLR04352PC	PP+CF	Collettore superiore/inferiore 2"	Upper/lower manifold	€ 227,00	2
12	P0700CLR04350AL	ALUMINUM	Collettore superiore/inferiore 2"	Upper/lower manifold	€ 198,50	2
13	P0700GA004362PPG	PP+VTR	Gabbia	Ball cage guide	€ 9,00	4

PHOENIX 700

13	P0700GA004362EC	ECTFE	Gabbia	Ball cage guide	€ 30,00	4
14	SFERAMMC00060TF	PTFE	Sfera	Ball	€ 68,00	4
14	SFERAINC02014AI	AISI	Sfera	Ball	€ 158,50	4
14	SFERAMMC00060DT	EPDM	Sfera	Ball	€ 31,00	4
14	SFERAMMC00060NR	NBR	Sfera	Ball	€ 31,00	4
15	P0700SD000094FV	PVDF	Sede sfera	Ball seat	€ 51,00	4
15	P0700SD000093PP	PP	Sede sfera	Ball seat	€ 21,00	4
15	P0700SD000184PZ	UHMW HDPE	Sede sfera	Ball seat	€ 21,00	4
15	P0700SD004643AL	ALUMINUM	Sede sfera	Ball seat	€ 30,00	4
15	P0700SD004643A2	AISI	Sede sfera	Ball seat	€ 59,00	4
16	P0700CO004399PPN	PP +VTR	Collare	Collar	€ 21,00	2
17	P0700PD004400PPN	PP +VTR	Piede	Foot	€ 29,00	2
19+19a+21+21a+21b	KITVITP0700A	AISI	Viti, dadi e rondelle per alluminio	Screws, nuts and washers for aluminum	€ 42,00	1
19+19a+21+21a+21b	KITVITP0700P	AISI	Viti, dadi e rondelle per plastica	Screws, nuts and washers for plastic	€ 105,00	1
22	VITEA18C04018A2	AISI	Viti disco intermedio	Screw intermediate plate	€ 1,20	8
23	VITEA18C04030A2	AISI	Viti griglia silenziatore	Screw silencer grid	€ 1,20	5
24	VITEA18C04010A2	AISI	Vite tappo distributore	Screw cover pneumatic exchanger	€ 1,20	1
32	GUARNORC06337NR	NBR	O-ring superiore	Upper o-ring	€ 5,50	4
32	GUARNORC06337VT	FPM	O-ring superiore	Upper o-ring	€ 10,00	4
32	GUARNORC06337DT	EPDM	O-ring superiore	Upper o-ring	€ 7,50	4
32	GUARNORC06337TF	PTFE	Guarnizione superiore	Upper gasket	€ 28,00	4
33	GUARNORC06275NR	NBR	O-ring inferiore	Lower o-ring	€ 5,30	4
33	GUARNORC06275VT	FPM	O-ring inferiore	Lower o-ring	€ 8,00	4
33	P0700GN000088TF	PTFE	Guarnizione inferiore	Lower gasket	€ 19,00	4
33	GUARNORC06275DT	EPDM	O-ring inferiore	Lower o-ring	€ 5,50	4
43	SEEGEFOC06525AC	STEEL	Seeger distributore	Seeger pneumatic exchanger	€ 6,50	1
45	P0700TP000289PPN	PP+VTR	Tappo distributore	Cover pneumatic exchanger	€ 13,00	1
47	P0700DS000034PP	PP	Distanziale corsa membrana	Spacer stroke diaphragm	€ 14,00	2
48	TUBOAI RC06170PU	Poliuretano	Tube aria D 6mm	Air tube D 6mm	€ 4,50	2
49	RACCO92C00006OT	BRASS	Raccordo a cartuccia	Fitting cartridge	€ 6,50	4

PHOENIX 700



<b>PHOENIX PN700 AISI</b>						Fluimac s.r.l. Via Brescia, 1 21049 - Tradate (VA) Tel. +39-0331-866688 Fax +39-0331-864870 Web: www.fluimac.com Mail: info@fluimac.com
<b>LISTINO RICAMBI PN700 AISI</b>						
<b>POSITION</b>	<b>CODE</b>	<b>MATERIAL</b>	<b>DESCRIZIONE</b>	<b>DESCRIPTION</b>	<b>PRICE UNIT Euro</b>	<b>Q. for PUMP</b>
1	P0700CCR04355PPN	PP	Centrale	Central block	€ 249,00	1
1	P0700CCR04355PC	PP+CF	Centrale	Central block	€ 613,00	1
1	P0700CCR04355PPB	PP	Centrale per FOOD 700	Central block for FOOD 700	€ 249,00	1
2	E-700	POM-c	Distributore	Pneumatic Exchanger	€ 278,00	1
3	P0700AL004644A2	AISI	Albero	Shaft	€ 40,00	1
4+42	C-700	POM-c	Comando	Command	€ 214,00	1
5	MOLLA70C40162AC	STEEL	Molla a tazza	Belleville washer	€ 5,00	4
6	P0700PT004423AL	ALUMINUM	Piattello lato aria	Air side cap	€ 35,00	2
7a	P0700ME004262HY	HYTREL	Membrana lato aria	Air diaphragm	€ 49,00	2
7a	P0700ME004262SA	SANTOPRENE	Membrana lato aria	Air diaphragm	€ 49,00	2
7b	P0700ME004475TF	PTFE	Membrana lato fluido	Fluid diaphragm	€ 168,00	2
8	P0700CAR04447A4	AISI	Cappellotto lato fluido	Fluid side cap	€ 136,50	2
9	P0700GR004395PPN	PP+VTR	Griglia silenziatore	silencer grid	€ 21,00	1
10	P0700SL004725FL	FELT	Silenziatore	Silencer	€ 12,00	1
11	PN700CPR00105A4	AISI 316	Corpo pompa	Pump casing	€ 1.045,00	2
11	FN700CPR00105A4	AISI 316 ELECTROPOLISHED	Corpo pompa	Pump casing	€ 1.307,00	2
12a	PN700CLR00107A4	AISI 316	Collettore superiore AISI	Upper manifold AISI	€ 772,00	1
12a	FN700CLR00110A4	AISI 316 ELECTROPOLISHED	Collettore superiore AISI CLAMP	Upper manifold AISI CLAMP	€ 931,00	1
12b	PN700CLR00108A4	AISI 316	Collettore inferiore AISI	Lower manifold AISI	€ 849,00	1
12b	FN700CLR00109A4	AISI 316 ELECTROPOLISHED	Collettore inferiore AISI CLAMP	Lower manifold AISI CLAMP	€ 988,00	1
14	SFERAMMC00060TF	PTFE	Sfera	Ball	€ 68,00	4
14	SFERAINC02014AI	AISI	Sfera	Ball	€ 158,50	4
15	PN700SD000138A4	AISI	Sede sfera	Ball seat	€ 59,00	4
19+21+21a+21b	KITVITIP0700S	AISI	Viti, dadi e rondelle per aisi	Screws, nuts and washers for aisi	€ 66,00	1
22	VITEA18C04018A2	AISI	Viti disco intermedio	Intermediate plate screws	€ 1,20	8

PHOENIX 700 AISI

23	VITEA18C04030A2	AISI	Viti griglia silenziatore	Silencer grid screws	€ 1,20	5
24	VITEA18C04010A2	AISI	Vite tapo distributore	Pneumatic exchanger cover screws	€ 1,20	1
32	GUARNORC00206TF	PTFE	O-ring superiore	Upper o-ring	€ 28,00	4
32	GUARNORC06287VT	VITON	O-ring superiore	Upper o-ring	€ 10,00	4
43	SEEGEFOC06525AC	STEEL	Seeger distributore	Seeger pneumatic exchanger	€ 6,50	1
45	P0700TP000289PPN	PP+VTR	Tappo distributore	Cover pneumatic exchanger	€ 13,00	1
47	P0700DS000034PP	PP	Distanziale corsa	Stroke spacer	€ 14,00	2
48	TUBOAIRC06170PU	Poliuretano	Tubo aria D 6mm	Air tube D 6mm	€ 4,50	2
49	RACCO92C00006OT	BRASS	Raccordo a cartuccia	Fitting cartridge	€ 6,50	4

PHOENIX 700 AISI

